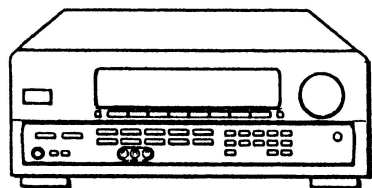


# aiwa



AV-D30  
AV-D50  
AV-DV70



STEREO AV RECEIVER

• TYPE : U

SERVI CE  
MANUAL

# SPECIFICATIONS [AV-D30]

## FM tuner section

**Tuning range** 87.5 MHz to 108 MHz  
**Usable sensitivity (IHF)** 13.2 dBf  
**Antenna terminals** 75 ohms (unbalanced)

## AM tuner section

**Tuning range** 530 kHz to 1710 kHz (10 kHz step),  
531 kHz to 1602 kHz (9 kHz step)  
**Usable sensitivity** 350  $\mu$ V/m  
**Antenna** Loop antenna

## Amplifier section

**Power output** [Stereo Mode]  
**Front**  
85 watts per channel, Min. RMS at 8 ohms, from 40 Hz to 20 kHz, with no more than 0.9% Total Harmonic Distortion  
[Dolby Pro Logic or 5.1 CH Mode]  
**Front**  
70 watts per channel, Min. RMS at 8 ohms, from 40 Hz to 20 kHz, with no more than 0.9% Total Harmonic Distortion  
**Rear (Surround)**  
35 watts per channel, Min. RMS at 8 ohms, 1 kHz, with no more than 0.9% Total Harmonic Distortion  
**Center**  
70 watts, Min. RMS at 8 ohms, 1 kHz, with no more than 0.9% Total Harmonic Distortion  
**Total harmonic distortion** 0.08 % (50 W, 1 kHz, 8 ohms, Front)

## Inputs

**AUDIO IN**  
PHONO: 2.5 mV, adjustable (47 kohms)  
CD: 250 mV, adjustable (47 kohms)  
TAPE MONITOR: 250 mV (47 kohms)  
VIDEO 1/DVD/MD, VIDEO 2/LD/TV, VIDEO 3, AUX: 250 mV, adjustable (47 kohms)  
5.1 INPUT (FRONT, SURROUND, CENTER, SUB-WOOFER): 400 mV (47 kohms)

## Outputs


VIDEO IN: 1 Vp-p (75 ohms)  
AUDIO OUT (REC OUT): 200 mV (1 kohm)  
VIDEO OUT (MONITOR): 1 Vp-p (75 ohms)  
SUPER WOOFER: 200 mV  
FRONT SPEAKERS IMP: 8 $\Omega$  (front speakers A and B): accepts speakers of 8 ohms or more.  
SURROUND SPEAKERS IMP: 8 $\Omega$  (surround speakers): accepts speakers of 8 ohms or more  
CENTER SPEAKER IMP: 8 $\Omega$ : accepts a speaker of 8 ohms or more.  
PHONES (stereo jack): accepts headphones of 32 ohms or more

## Muting

-20 dB

## General

**Power requirements** 120 V AC, 60 Hz  
**Power consumption** 125 W  
**Dimensions (W x H x D)** 430 x 155 x 351 mm  
(17 x 6 $\frac{1}{8}$  x 13 $\frac{7}{8}$  in.)  
**Weight** 10.0 kg (22 lb 1 oz.)

- Design and specifications are subject to change without notice.
- Manufactured under license from Dolby Laboratories Licensing Corporation.
- "DOLBY", the double-D symbol  are "PRO LOGIC" are trademarks of Dolby Laboratories Licensing Corporation.

# SPECIFICATIONS [AV-D50]

## FM tuner section

Tuning range	87.5 MHz to 108 MHz
Usable sensitivity (IHF)	13.2 dBf
Antenna terminals	75 ohms (unbalanced)

## AM tuner section

Tuning range	530 kHz to 1710 kHz (10 kHz step), 531 kHz to 1602 kHz (9 kHz step)
Usable sensitivity	350 $\mu$ V/m
Antenna	Loop antenna

## Amplifier section

Power output	<b>[Stereo Mode]</b> <b>Front</b> 130 watts per channel, Min. RMS at 8 ohms, from 40 Hz to 20 kHz, with no more than 0.9% Total Harmonic Distortion <b>[Dolby Pro Logic or 5.1 CH Mode]</b> <b>Front</b> 120 watts per channel, Min. RMS at 8 ohms, from 40 Hz to 20 kHz, with no more than 0.9% Total Harmonic Distortion <b>Rear (Surround)</b> 60 watts per channel, Min. RMS at 8 ohms, 1 kHz, with no more than 0.9% Total Harmonic Distortion <b>Center</b> 120 watts, Min. RMS at 8 ohms, 1 kHz, with no more than 0.9% Total Harmonic Distortion 0.08 % (85 W, 1 kHz, 8 ohms, Front)
Total harmonic distortion	

### Inputs

AUDIO IN  
PHONO: 2.5 mV, adjustable (47 kohms)  
CD: 250 mV, adjustable (47 kohms)  
TAPE MONITOR: 250 mV (47 kohms)  
VIDEO 1/DVD/MD, VIDEO 2/LD/TV, VIDEO 3, AUX: 250 mV, adjustable (47 kohms)  
5.1 INPUT (FRONT, SURROUND, CENTER, SUB-WOOFER): 400 mV (47 kohms)

### Outputs


VIDEO IN: 1 Vp-p (75 ohms)  
AUDIO OUT (REC OUT): 200 mV (1 kohm)  
VIDEO OUT (MONITOR): 1 Vp-p (75 ohms)  
SUPER WOOFER: 200 mV  
FRONT SPEAKERS IMP: 8 $\Omega$ /4 $\Omega$  selectable (front speakers A and B):  
with the SPEAKER IMPEDANCE SELECTOR set to 4 $\Omega$ , accepts speakers of 4 ohms.  
with the SPEAKER IMPEDANCE SELECTOR set to 8 $\Omega$ , accepts speakers of 8 ohms or more.  
SURROUND SPEAKERS IMP: 8 $\Omega$  (surround speakers): accepts speakers of 8 ohms or more

CENTER SPEAKER IMP: 8 $\Omega$ /4 $\Omega$  selectable  
with the SPEAKER IMPEDANCE SELECTOR set to 4 $\Omega$ , accepts speaker of 4 ohms.  
with the SPEAKER IMPEDANCE SELECTOR set to 8 $\Omega$ , accepts speaker of 8 ohms or more.  
PHONES (stereo jack): accepts headphones of 32 ohms or more  
-20 dB

## Muting

## General

Power requirements	120 V AC, 60 Hz
Power consumption	230 W
Dimensions (W x H x D)	430 x 155 x 351 mm (17 x 6 1/8 x 13 7/8 in.)
Weight	11.2 kg (24 lb 11 oz.)

- Design and specifications are subject to change without notice.
- Manufactured under license from Dolby Laboratories Licensing Corporation.
- "DOLBY", the double-D symbol  are "PRO LOGIC" are trademarks of Dolby Laboratories Licensing Corporation.
- The word "BBE" and the "BBE symbol" are trademarks of BBE Sound, Inc.  
Under license from BBE Sound, Inc.

# SPECIFICATIONS [AV-DV70]

## FM tuner section

<b>Tuning range</b>	87.5 MHz to 108 MHz
<b>Usable sensitivity (IHF)</b>	13.2 dBf
<b>Antenna terminals</b>	75 ohms (unbalanced)

## AM tuner section

<b>Tuning range</b>	530 kHz to 1710 kHz (10 kHz step), 531 kHz to 1602 kHz (9 kHz step)
<b>Usable sensitivity</b>	350 $\mu$ V/m
<b>Antenna</b>	Loop antenna

## Amplifier section

<b>Power output</b>	<b>[Stereo Mode]</b> <b>Front</b> 130 watts per channel, Min. RMS at 8 ohms, from 40 Hz to 20 kHz, with no more than 0.9% Total Harmonic Distortion <b>[Dolby Digital Surround or Dolby Pro Logic Mode]</b> <b>Front</b> 120 watts per channel, Min. RMS at 8 ohms, from 40 Hz to 20 kHz, with no more than 0.9% Total Harmonic Distortion <b>Rear (Surround)</b> 60 watts per channel, Min. RMS at 8 ohms, 1 kHz, with no more than 0.9% Total Harmonic Distortion <b>Center</b> 120 watts, Min. RMS at 8 ohms, 1 kHz, with no more than 0.9% Total Harmonic Distortion <b>Total harmonic distortion</b> 0.08 % (85 W, 1 kHz, 8 ohms, Front)
---------------------	--

**Total harmonic distortion**  
**Inputs**

<b>AUDIO IN</b>	PHONO: 2.5 mV, adjustable (47 kohms) CD: 250 mV, adjustable (47 kohms) TAPE MONITOR: 250 mV (47 kohms) VIDEO 1/DVD/MD, VIDEO 2/LD/TV, VIDEO 3, AUX: 250 mV, adjustable (47 kohms)
<b>DIGITAL IN</b>	COAXIAL (VIDEO 2): OPTICAL (VIDEO 1): accept linear PCM (32 kHz, 44.1 kHz and 48 kHz) signals and bit stream of Dolby Digital Surround
<b>VIDEO IN:</b>	1 Vp-p (75 ohms)

## Outputs

<b>AUDIO OUT (REC OUT):</b>	200 mV (1 kohm)
<b>VIDEO OUT (MONITOR):</b>	1 Vp-p (75 ohms)
<b>SUPER WOOFER:</b>	1 V
<b>FRONT SPEAKERS IMP:</b>	8 $\Omega$ /4 $\Omega$ selectable (front speakers A and B): with the <b>SPEAKER IMPEDANCE SELECTOR</b> set to 4 $\Omega$ , accepts speakers of 4 ohms. with the <b>SPEAKER IMPEDANCE SELECTOR</b> set to 8 $\Omega$ , accepts speakers of 8 ohms or more.
<b>SURROUND SPEAKERS IMP:</b>	8 $\Omega$ (surround speakers): accepts speakers of 8 ohms or more.
<b>CENTER SPEAKER IMP:</b>	8 $\Omega$ /4 $\Omega$ selectable with the <b>SPEAKER IMPEDANCE SELECTOR</b> set to 4 $\Omega$ , accepts speaker of 4 ohms. with the <b>SPEAKER IMPEDANCE SELECTOR</b> set to 8 $\Omega$ , accepts speaker of 8 ohms or more.
<b>PHONES (stereo jack):</b>	accepts headphones of 32 ohms or more -20 dB

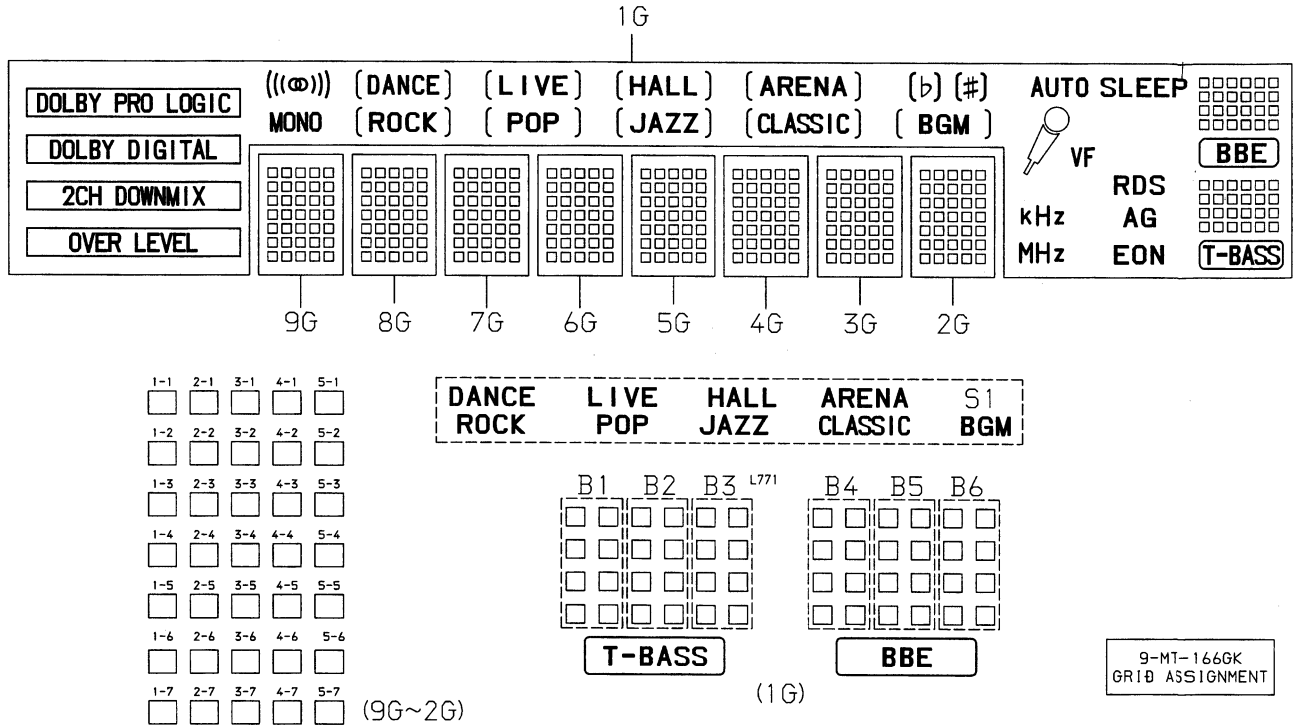
## Muting

## General

<b>Power requirements</b>	120 V AC, 60 Hz
<b>Power consumption</b>	230 W
<b>Dimensions (W x H x D)</b>	430 x 155 x 351 mm (17 x 6 1/8 x 13 7/8 in.)
<b>Weight</b>	11.2 kg (24 lb 11 oz.)

- Design and specifications are subject to change without notice.
- Manufactured under license from Dolby Laboratories. "DOLBY", "Pro Logic" and the double-D symbol are trademarks of Dolby Laboratories. Confidential Unpublished Works. ©1992-1997 Dolby Laboratories, Inc. All rights reserved.
- The word "BBE" and the "BBE symbol" are trademarks of BBE Sound, Inc. Under License from BBE Sound, Inc.

# GRID ASSIGNMENT



# ANODO CONNECTION

ANODO CONNECTION

	9G~2G	1G
P1	1-1	<b>DOLBY PRO LOGIC</b>
P2	2-1	<b>DOLBY DIGITAL</b>
P3	3-1	<b>2CH DOWNMIX</b>
P4	4-1	<b>OVER LEVEL</b>
P5	5-1	((∞))
P6	1-2	<b>MONO</b>
P7	2-2	( DANCE )
P8	3-2	( ROCK )
P9	4-2	( LIVE )
P10	5-2	( POP )
P11	1-3	( HALL )
P12	2-3	( JAZZ )
P13	3-3	( ARENA )
P14	4-3	( CLASSIC )
P15	5-3	( BGM )
P16	1-4	( b )
P17	2-4	( # )
P18	3-4	b #

	9G~2G	1G
P19	4-4	S1
P20	5-4	<b>AUTO</b>
P21	1-5	VF
P22	2-5	<b>kHz</b>
P23	3-5	<b>MHz</b>
P24	4-5	<b>SLEEP</b>
P25	5-5	<b>AG</b>
P26	1-6	<b>EON</b>
P27	2-6	<b>RDS</b>
P28	3-6	<b>BBE</b>
P29	4-6	B6
P30	5-6	B5
P31	1-7	B4
P32	2-7	<b>T-BASS</b>
P33	3-7	B3
P34	4-7	B2
P35	5-7	B1

9-MT-166GK  
 ANODO CONNECTION

# ELECTRICAL MAIN PARTS LIST

DESCRIPTIONで判断できない物は "REFERENCE NAME LIST" を参照してください。  
 If can't understand for Description please kindly refer to "REFERENCE NAME LIST".

REF. NO	PART NO.	KANRI NO.	DESCRIPTION	REF. NO	PART NO.	KANRI NO.	DESCRIPTION
IC				△	87-A40-224-010		DIODE, GBU8D
	87-AR4-687-040		C-IC, LC74763M-9670<70>		87-070-274-080		DIODE, 1N4003 SEM
	88-AR1-648-010		C-IC, UPD780228GF-017-3BA		87-A40-336-080		ZENER, MTZJ27D T-72
	87-A20-823-010		C-IC, YSS248<70>		87-A40-347-080		ZENER, MTZJ2.2B
	87-070-391-040		IC, BA4558F		87-A40-274-010		DIODE, FMB-G16L
	87-A20-824-010		C-IC, CS4226<70>		87-A40-299-080		ZENER, DZ5.1M
	87-A20-154-010		IC, SPS-444-1		87-A40-488-080		DIODE, 1SS244
	87-001-536-010		IC, NJM78M05FA<70>		87-017-931-080		ZENER, MTZJ5.6B
	87-017-022-080		IC, NJM2068M-D(T1)		87-A40-500-080		ZENER, MTZJ30B
	87-020-784-080		IC, TC4053BF		87-A40-438-080		ZENER, MTZJ4.7A
	87-A20-870-010		IC, GP1F37R<70>		87-A40-234-080		ZENER, MTZJ5.6A
	87-A20-560-040		C-IC, M65849BFP				
	87-001-604-080		IC, TC74HCU04M<70>	MAIN C. B			
	87-002-298-080		IC, TC74HCU04P<70>		C101	87-010-235-080	CAP, E 470-16 SME
	87-A20-715-010		IC, M62439SP		C102	87-010-235-080	CAP, E 470-16 SME
	87-017-726-080		IC, BU4052 BCF		C103	87-010-384-080	CAP, ELECT 100-25V
	87-A20-954-040		C-IC, M62445FP-601		C104	87-016-128-080	CAP, ELECT 22-25V KME
	87-A20-056-010		IC, BA3880S<50, 70>		C105	87-010-247-080	CAP, ELECT 100-50V
	86-NFZ-655-010		IC, LC72131D(Z)				
	87-A20-438-010		IC, LA1837		C106	87-010-384-080	CAP, ELECT 100-25V
	87-A20-453-010		C-IC, NJM1102B<30, 50>		C107	87-010-263-080	CAP, ELECT 100-10V<50>
	87-A20-820-010		IC, BA7625		C108	87-012-140-080	CAP 470P
	87-017-917-080		IC, BU4066BCF		C109	87-012-368-080	C-CAP, S 0.1-50 F
					C110	87-012-368-080	C-CAP, S 0.1-50 F
TRANSISTOR					C111	87-012-368-080	C-CAP, S 0.1-50 F
	87-A30-087-080		C-FET, 2SK2158		C112	87-012-368-080	C-CAP, S 0.1-50 F
	87-A30-071-080		C-TR, RT1N 144C	△	C113	87-016-658-090	CAP, E 4700-35 SMG
	89-110-372-080		TR, 2SA1037KR(140MHZ 200MW)	△	C114	87-016-658-090	CAP, E 4700-35 SMG
	89-213-750-010		TR, 2SB1375E(25W)		C115	87-012-368-080	C-CAP, S 0.1-50 F
	87-026-263-080		C-TR, RN1410				
	87-A30-083-080		TR, CSD1489B		C116	87-012-368-080	C-CAP, S 0.1-50 F
	87-A30-075-080		C-TR, 2SA1235F		C117	87-012-368-080	C-CAP, S 0.1-50 F
	89-112-965-080		TR, 2SA1296GR(0.75W)	△	C118	87-012-368-080	C-CAP, S 0.1-50 F
	87-A30-076-080		C-TR, 2SC3052F	△	C119	87-A10-462-090	CAP, E 6800-63 SMG VB<30>
	87-A30-074-080		C-TR, RT1P 141C	△	C119	87-A10-416-090	CAP, E 6800-80 SMG VB<50, 70>
	87-026-610-080		TR, KTC3198GR	△	C120	87-A10-462-090	CAP, E 6800-63 SMG VB<30>
	87-A30-073-080		C-TR, RT1N 141C	△	C120	87-A10-416-090	CAP, E 6800-80 SMG VB<50, 70>
	89-213-702-010		TR, 2SB1370E(1.8W)		C121	87-010-260-080	CAP, ELECT 47-25V
	87-A30-086-070		C-TR, CSD1306E		C122	87-010-403-080	CAP, ELECT 3.3-50V
	87-A30-072-080		C-TR, RT1P 144C		C123	87-010-384-080	CAP, ELECT 100-25V
	87-026-609-080		TR, KTA1266GR		C124	87-010-384-080	CAP, ELECT 100-25V
	87-A30-107-070		C-TR, CMBT5401		C125	87-A10-417-080	CAP, E 47-63 M SME
	87-A30-190-080		TR, CC5551		C126	87-010-263-080	CAP, ELECT 100-10V
	87-A30-097-010		TR, FN 1016		C127	87-010-197-080	CAP, CHIP 0.01 DM
	87-A30-098-010		TR, FP 1016		C149	87-010-154-080	CAP CHIP 10P
	87-A30-106-070		C-TR, CMBT5551		C150	87-010-154-080	CAP CHIP 10P
	87-A30-162-010		FET, 2SK2937		C153	87-010-401-080	CAP, ELECT 1-50V
	87-026-236-080		C-TR, DTC124EK<70>		C154	87-010-401-080	CAP, ELECT 1-50V
	87-026-232-080		TR, DTA144WK		C155	87-010-196-080	CHIP CAPACITOR, 0.1-25
	87-A30-131-080		TR, 2SA965Y		C156	87-010-196-080	CHIP CAPACITOR, 0.1-25
	87-A30-196-080		TR, 2SC4115SRS		C157	87-010-408-080	CAP, ELECT 47-50V
	89-327-143-080		TR, 2SC2714(O) (0.1W)		C158	87-010-408-080	CAP, ELECT 47-50V
					C159	87-010-154-080	CAP CHIP 10P
DIODE					C168	87-A10-830-080	C-CAP, S 0.33-16 K<30, 50>
	87-A40-291-080		DIODE, 1N4148M(CPT)		C169	87-010-154-080	CAP CHIP 10P
	87-A40-470-080		DIODE, 1SS254		C170	87-010-154-080	CAP CHIP 10P<70>
	87-A40-345-080		ZENER, MTZJ10C		C170	87-012-393-080	C-CAP, S 0.22-16 RK<30, 50>
	87-A40-468-080		C-DIODE, HSM2836CTR		C171	87-010-196-080	CHIP CAPACITOR, 0.1-25
	87-070-136-080		ZENER, MTZJ5.1B		C172	87-010-154-080	CAP CHIP 10P
	87-027-686-080		ZENER, HZ-12A1<50, 70>		C173	87-010-401-080	CAP, ELECT 1-50V<30, 50>
	87-A40-235-080		ZENER, MTZJ9.1C<70>		C173	87-010-405-080	CAP, ELECT 10-50V<70>
	87-A40-002-080		ZENER, MTZJ5.1C		C174	87-010-401-080	CAP, ELECT 1-50V
△	87-A40-115-060		DIODE, RS603M		C175	87-010-196-080	CHIP CAPACITOR, 0.1-25
	87-A40-469-080		C-DIODE, HSM2838CTR		C203	87-010-179-080	CAP, CHIP S B1200P
	87-A40-004-080		ZENER, MTZJ16A		C204	87-010-179-080	CAP, CHIP S B1200P
	87-A40-335-080		ZENER, MTZJ11C T-72				
	87-A40-344-080		ZENER, MTZJ6.2C		C205	87-010-406-080	CAP, ELECT 22-50
					C206	87-010-406-080	CAP, ELECT 22-50
					C209	87-010-406-080	CAP, ELECT 22-50
					C210	87-010-406-080	CAP, ELECT 22-50
					C211	87-012-140-080	CAP 470P

REF. NO	PART NO.	KANRI NO.	DESCRIPTION	REF. NO	PART NO.	KANRI NO.	DESCRIPTION
C212	87-012-140-080		CAP 470P	C492	87-012-368-080		C-CAP,S 0.1-50 F
C215	87-A10-897-080		CAP,E 100-25 BP SME	C493	87-010-190-080		S CHIP F 0.01
C216	87-A10-897-080		CAP,E 100-25 BP SME	C501	87-010-404-080		CAP, ELECT 4.7-50V
C217	87-A10-516-080		C-CAP,S 100P-200 J CH	C502	87-010-404-080		CAP, ELECT 4.7-50V
C218	87-A10-516-080		C-CAP,S 100P-200 J CH	C503	87-012-157-080		C-CAP,S 330P-50 CH
C221	87-010-805-080		CAP, S 1-16	C504	87-012-157-080		C-CAP,S 330P-50 CH
C222	87-010-805-080		CAP, S 1-16	C511	87-010-404-080		CAP, ELECT 4.7-50V
C223	87-010-402-080		CAP, ELECT 2.2-50V	C512	87-010-404-080		CAP, ELECT 4.7-50V
C224	87-010-402-080		CAP, ELECT 2.2-50V	C513	87-010-260-080		CAP, ELECT 47-25V
C225	87-010-196-080		CHIP CAPACITOR,0.1-25	C514	87-010-260-080		CAP, ELECT 47-25V
C226	87-010-384-080		CAP, ELECT 100-25V	C515	87-010-370-080		CAP,E 330-6.3 SME
C227	87-010-178-080		CHIP CAP 1000P	C516	87-010-370-080		CAP,E 330-6.3 SME
C228	87-010-178-080		CHIP CAP 1000P	C517	87-010-196-080		CHIP CAPACITOR,0.1-25
C229	87-010-384-080		CAP, ELECT 100-25V	C518	87-010-196-080		CHIP CAPACITOR,0.1-25
C285	87-010-186-080		CAP,CHIP 4700P	C519	87-010-196-080		CHIP CAPACITOR,0.1-25
C287	87-010-190-080		S CHIP F 0.01	C531	87-010-213-080		C-CAP,S 0.015-50 B
C288	87-010-190-080		S CHIP F 0.01	C532	87-010-992-080		C-CAP,S 0.047-25 B
C289	87-010-190-080		S CHIP F 0.01	C533	87-015-785-080		CHIP CAPACITOR, 0.1FZ-25Z
C290	87-010-190-080		S CHIP F 0.01	C535	87-010-404-080		CAP, ELECT 4.7-50V
C291	87-012-368-080		C-CAP,S 0.1-50 F	C536	87-010-404-080		CAP, ELECT 4.7-50V
C292	87-012-368-080		C-CAP,S 0.1-50 F	C539	87-010-401-080		CAP, ELECT 1-50V
C293	87-012-368-080		C-CAP,S 0.1-50 F	C540	87-010-401-080		CAP, ELECT 1-50V
C294	87-012-368-080		C-CAP,S 0.1-50 F	C541	87-010-185-080		C-CAP,S 3900P-50 B
C295	87-012-368-080		C-CAP,S 0.1-50 F	C542	87-010-185-080		C-CAP,S 3900P-50 B
C296	87-012-368-080		C-CAP,S 0.1-50 F	C547	87-010-404-080		CAP, ELECT 4.7-50V
C297	87-012-368-080		C-CAP,S 0.1-50 F	C548	87-010-404-080		CAP, ELECT 4.7-50V
C298	87-012-368-080		C-CAP,S 0.1-50 F	C549	87-016-081-080		C-CAP,S 0.1-16 RK
C303	87-010-181-080		CAP,CHIP S 1800P	C550	87-016-081-080		C-CAP,S 0.1-16 RK
C304	87-010-181-080		CAP,CHIP S 1800P	C554	87-010-196-080		CHIP CAPACITOR,0.1-25
C305	87-010-406-080		CAP, ELECT 22-50	C555	87-010-405-080		CAP, ELECT 10-50V
C306	87-010-406-080		CAP, ELECT 22-50	C556	87-010-221-080		CAP, ELECT 470-10V
C309	87-010-406-080		CAP, ELECT 22-50	C557	87-010-263-080		CAP, ELECT 100-10V
C310	87-010-406-080		CAP, ELECT 22-50	C559	87-010-183-080		C-CAP,S 2700P-50 B
C311	87-012-140-080		CAP 470P	C561	87-012-140-080		CAP 470P
C312	87-012-140-080		CAP 470P	C562	87-012-140-080		CAP 470P
C315	87-A10-897-080		CAP,E 100-25 BP SME	C565	87-010-404-080		CAP, ELECT 4.7-50V
C316	87-A10-897-080		CAP,E 100-25 BP SME	C566	87-010-404-080		CAP, ELECT 4.7-50V
C317	87-A10-516-080		C-CAP,S 100P-200 J CH	C601	87-010-378-080		CAP, ELECT 10-16V<50,70>
C318	87-A10-516-080		C-CAP,S 100P-200 J CH	C602	87-010-378-080		CAP, ELECT 10-16V<50,70>
C321	87-010-805-080		CAP, S 1-16	C603	87-012-156-080		C-CAP,S 220P-50 CH<50,70>
C322	87-010-805-080		CAP, S 1-16	C604	87-012-156-080		C-CAP,S 220P-50 CH<50,70>
C323	87-010-402-080		CAP, ELECT 2.2-50V	C605	87-010-405-080		CAP, ELECT 10-50V
C324	87-010-402-080		CAP, ELECT 2.2-50V	C606	87-010-405-080		CAP, ELECT 10-50V
C325	87-010-196-080		CHIP CAPACITOR,0.1-25	C607	87-012-140-080		CAP 470P<50,70>
C327	87-010-178-080		CHIP CAP 1000P	C608	87-012-140-080		CAP 470P<50,70>
C328	87-010-178-080		CHIP CAP 1000P	C609	87-010-188-080		CAP,CHIP 6800P<50,70>
C330	87-012-368-080		C-CAP,S 0.1-50 F	C610	87-010-188-080		CAP,CHIP 6800P<50,70>
C331	87-012-368-080		C-CAP,S 0.1-50 F	C611	87-010-197-080		CAP, CHIP 0.01 DM<50,70>
C332	87-010-408-080		CAP, ELECT 47-50V	C612	87-010-195-080		C-CAP,S 0.068-25 F<50,70>
C333	87-010-408-080		CAP, ELECT 47-50V	C613	87-010-195-080		C-CAP,S 0.068-25 F<50,70>
C385	87-010-186-080		CAP,CHIP 4700P	C614	87-010-197-080		CAP, CHIP 0.01 DM<50,70>
C391	87-012-368-080		C-CAP,S 0.1-50 F	C615	87-010-404-080		CAP, ELECT 4.7-50V<50,70>
C392	87-012-368-080		C-CAP,S 0.1-50 F	C616	87-010-404-080		CAP, ELECT 4.7-50V<50,70>
C393	87-012-368-080		C-CAP,S 0.1-50 F	C617	87-010-404-080		CAP, ELECT 4.7-50V<50,70>
C394	87-012-368-080		C-CAP,S 0.1-50 F	C618	87-010-404-080		CAP, ELECT 4.7-50V<50,70>
C395	87-010-190-080		S CHIP F 0.01	C619	87-010-404-080		CAP, ELECT 4.7-50V<50,70>
C396	87-010-190-080		S CHIP F 0.01	C620	87-010-101-080		CAP, ELECT 220-16<50,70>
C402	87-010-181-080		CAP,CHIP S 1800P	C621	87-010-260-080		CAP, ELECT 47-25V<50,70>
C403	87-010-406-080		CAP, ELECT 22-50	C701	87-010-196-080		CHIP CAPACITOR,0.1-25
C405	87-010-406-080		CAP, ELECT 22-50<30,50>	C702	87-010-196-080		CHIP CAPACITOR,0.1-25
C405	87-010-408-080		CAP, ELECT 47-50V<70>	C720	87-010-196-080		CHIP CAPACITOR,0.1-2<30,50>
C406	87-012-140-080		CAP,470P	C721	87-010-401-080		CAP, ELECT 1-50V<30,50>
C408	87-A10-897-080		CAP,E 100-25 BP SME	C722	87-010-260-080		CAP, ELECT 47-25V<30,50>
C409	87-A10-516-080		C-CAP,S 100P-200 J CH	C723	87-010-401-080		CAP, ELECT 1-50V<30,50>
C411	87-010-805-080		CAP, S 1-16	C724	87-010-196-080		CHIP CAPACITOR,0.1-2<30,50>
C412	87-010-402-080		CAP, ELECT 2.2-50V	C725	87-010-401-080		CAP, ELECT 1-50V<30,50>
C413	87-010-196-080		CHIP CAPACITOR,0.1-25	C726	87-010-401-080		CAP, ELECT 1-50V<30,50>
C414	87-010-178-080		CHIP CAP 1000P	C745	87-012-368-080		C-CAP,S 0.1-50 F
C485	87-010-186-080		CAP,CHIP 4700P	C750	87-010-196-080		CHIP CAPACITOR,0.1-2<30,50>
C491	87-012-368-080		C-CAP,S 0.1-50 F	C901	87-010-406-080		CAP, ELECT 22-50

REF. NO	PART NO.	KANRI NO.	DESCRIPTION	REF. NO	PART NO.	KANRI NO.	DESCRIPTION
C902	87-010-406-080		CAP, ELECT 22-50	S101	86-SP8-611-010		SW,SL 1-1-2<50,70>
C903	87-010-406-080		CAP, ELECT 22-50	S291	87-A90-174-010		SW, PUSH 2-2-2
C904	87-010-406-080		CAP, ELECT 22-50	S292	87-A90-174-010		SW, PUSH 2-2-2
C905	87-010-406-080		CAP, ELECT 22-50				
C906	87-010-260-080		CAP, ELECT 47-25V				
C907	87-010-196-080		CHIP CAPACITOR,0.1-25				
C908	87-010-384-080		CAP, ELECT 100-25V	C103	87-010-196-080		CHIP CAPACITOR,0.1-25
C909	87-010-371-080		CAP, ELECT 470-6.3V	C104	87-010-178-080		CHIP CAP 1000P
C910	87-010-371-080		CAP, ELECT 470-6.3V	C105	87-012-156-080		C-CAP,S 220P-50 CH
C911	87-010-371-080		CAP, ELECT 470-6.3V	C106	87-010-196-080		CHIP CAPACITOR,0.1-25
				C107	87-010-316-080		C-CAP,S 33P-50 CH
C912	87-015-785-080		CHIP CAPACITOR, 0.1FZ-25Z				
C913	87-010-196-080		CHIP CAPACITOR,0.1-25	C108	87-010-318-080		C-CAP,S 47P-50 CH
C914	87-010-196-080		CHIP CAPACITOR,0.1-25	C109	87-010-312-080		C-CAP,S 15P-50 CH
FFC101	88-AR1-642-010		F-CABLE,9P -2.5	C110	87-010-198-080		CAP, CHIP 0.022
FFC501	88-AR1-644-010		FF-CABLE,27P 1.25	C112	87-010-196-080		CHIP CAPACITOR,0.1-25
				C113	87-010-178-080		CHIP CAP 1000P
FFC502	88-AR1-647-010		FF-CABLE,12P 1.25 340MM				
FFC503	88-911-161-110		FF-CABLE,11P 1.25	C114	87-010-196-080		CHIP CAPACITOR,0.1-25
J201	87-A60-199-010		TERMINAL, SP 8P CJ-9034-07 V0	C115	87-010-196-080		CHIP CAPACITOR,0.1-25
J301	87-A60-200-110		TERMINAL, SP 6P CJ-9033	C116	87-015-695-040		E/CAP 1UF 50V TAPG
J501	87-099-609-010		JACK, PIN 4P KM EARTH	C117	87-A10-189-040		CAP,E 220-10
				C118	87-010-196-080		CHIP CAPACITOR,0.1-25
J502	87-099-609-010		JACK, PIN 4P KM EARTH				
J715	87-A60-244-010		JACK, PIN 1P BLK	C119	87-010-264-040		CAP,E 100-10 5L
J750	87-A60-660-010		JACK, 6P W/R,W/R,B/O(G)<30,50>	C120	87-012-368-080		C-CAP,S 0.1-50 F
J901	87-099-911-010		JACK, PIN 3P YEL	C121	87-010-408-040		CAP,E 47-50 SME
J902	87-099-912-010		JACK, PIN 3P YEL W/E	C122	87-015-699-040		CAP,E 10-50 7L
				C123	87-015-699-040		CAP,E 10-50 7L
J903	87-099-911-010		JACK, PIN 3P YEL				
J904	87-099-911-010		JACK, PIN 3P YEL	C126	87-015-699-040		CAP,E 10-50 7L
J905	87-099-911-010		JACK, PIN 3P YEL	C127	87-015-695-040		E/CAP 1UF 50V TAPG
L291	87-003-383-010		COIL,1UH-S	C128	87-010-247-080		CAP, ELECT 100-50V<50>
L292	87-003-383-010		COIL,1UH-S	C136	87-012-157-080		C-CAP,S 330P-50 CH
				C137	87-012-157-080		C-CAP,S 330P-50 CH
L293	87-003-383-010		COIL,1UH-S				
L294	87-003-383-010		COIL,1UH-S	C138	87-012-157-080		C-CAP,S 330P-50 CH
L391	87-003-383-010		COIL,1UH-S	C139	87-012-157-080		C-CAP,S 330P-50 CH
L392	87-003-383-010		COIL,1UH-S	C140	87-012-157-080		C-CAP,S 330P-50 CH
L491	87-003-383-010		COIL,1UH-S	C141	87-012-157-080		C-CAP,S 330P-50 CH
				C142	87-012-157-080		C-CAP,S 330P-50 CH
L901	87-003-152-080		COIL, 100UH				
△ PR101	87-026-691-080		FUSE,10A 125V 251	C143	87-012-157-080		C-CAP,S 330P-50 CH
△ PR104	87-026-691-080		FUSE,10A 125V 251	C144	87-012-157-080		C-CAP,S 330P-50 CH
△ PR107	87-026-691-080		FUSE,10A 125V 251	C150	87-012-368-080		C-CAP,S 0.1-50 F
△ PR108	87-026-691-080		FUSE,10A 125V 251	C151	87-018-209-080		CAP,TC-U 0.1-50V ZF
				C350	87-016-526-080		C-CAP,S 0.47-16 BK
△ PR201	87-026-691-080		FUSE,10A 125V 251				
△ PR202	87-026-691-080		FUSE,10A 125V 251	C351	87-016-526-080		C-CAP,S 0.47-16 BK
△ PR301	87-026-691-080		FUSE,10A 125V 251	C352	87-016-526-080		C-CAP,S 0.47-16 BK
△ PR302	87-026-691-080		FUSE,10A 125V 251	C353	87-016-526-080		C-CAP,S 0.47-16 BK
△ PR401	87-026-691-080		FUSE,10A 125V 251	C381	87-010-186-080		CAP,CHIP 4700P
				FFC103	88-912-061-110		FF-CABLE,12P 1.25
△ PR402	87-026-691-080		FUSE,10A 125V 251				
△ R109	87-029-060-010		FUSING RESISTOR, 33,1/4W	FL101	88-AR1-641-010		FL,9-MT166-GK
R143	87-A00-259-080		RES,M/F 0.33-1W J<70>	LED350	87-A40-317-080		LED,SLR-342VCT31 RED
R143	87-A00-261-080		RES,M/F 0.56-1W J<30,50>	LED351	87-A40-317-080		LED,SLR-342VCT31 RED
R176	87-A00-401-050		RES,M/F 390-1W J VTP	LED352	87-A40-317-080		LED,SLR-342VCT31 RED
				LED353	87-A40-317-080		LED,SLR-342VCT31 RED
R179	87-A00-402-050		RES,M/F 560-1W J VTP				
R180	87-A00-403-080		RES,M/F 560-1W J T52L25.5	LED354	87-A40-317-080		LED,SLR-342VCT31 RED
R231	87-A00-262-080		RES,M/F 0.15-2W J	LED355	87-A40-317-080		LED,SLR-342VCT31 RED
R232	87-A00-262-080		RES,M/F 0.15-2W J	LED356	87-A40-317-080		LED,SLR-342VCT31 RED
R233	87-A00-262-080		RES,M/F 0.15-2W J	LED357	87-A40-317-080		LED,SLR-342VCT31 RED
				LED358	87-A40-496-040		LED,SLR-342MCT31 GRN
R234	87-A00-262-080		RES,M/F 0.15-2W J				
R281	87-A00-373-050		RES,M/F 270-1W J VTP	LED359	87-A40-496-040		LED,SLR-342MCT31 GRN
R282	87-A00-373-050		RES,M/F 270-1W J VTP	LED360	87-A40-496-040		LED,SLR-342MCT31 GRN
R283	87-A00-373-050		RES,M/F 270-1W J VTP	LED361	87-A40-496-040		LED,SLR-342MCT31 GRN
R284	87-A00-373-050		RES,M/F 270-1W J VTP	LED362	87-A40-496-040		LED,SLR-342MCT31 GRN
				LED363	87-A40-496-040		LED,SLR-342MCT31 GRN
R331	87-A00-257-080		RES,M/F 0.15-1W J				
R332	87-A00-257-080		RES,M/F 0.15-1W J	LED364	87-A40-496-040		LED,SLR-342MCT31 GRN
R333	87-A00-257-080		RES,M/F 0.15-1W J	LED365	87-A40-496-040		LED,SLR-342MCT31 GRN
R334	87-A00-257-080		RES,M/F 0.15-1W J	S401	87-A90-095-080		SW,TACT EVQ11G04M
R416	87-A00-262-080		RES,M/F 0.15-2W J	S402	87-A90-095-080		SW,TACT EVQ11G04M
				S403	87-A90-095-080		SW,TACT EVQ11G04M
R417	87-A00-262-080		RES,M/F 0.15-2W J				
RY101	87-A90-454-010		RELAY,12V DJ12D2-O(M)	S404	87-A90-095-080		SW,TACT EVQ11G04M
RY102	87-A90-454-010		RELAY,12V DJ12D2-O(M)<50,70>	S405	87-A90-095-080		SW,TACT EVQ11G04M
RY281	87-A90-143-010		RELAY,DG12D-OS(M)<50,70>	S406	87-A90-095-080		SW,TACT EVQ11G04M
RY481	87-A90-143-010		RELAY,DG12D-OS(M)<50,70>	S407	87-A90-095-080		SW,TACT EVQ11G04M



REF. NO	PART NO.	KANRI NO.	DESCRIPTION	REF. NO	PART NO.	KANRI NO.	DESCRIPTION
S408	87-A90-095-080	SW, TACT	EVQ11G04M	C728	87-010-248-080		CAP, ELECT 220-10V
S409	87-A90-095-080	SW, TACT	EVQ11G04M	C755	87-012-286-080		CAP, U 0.01-25
S410	87-A90-095-080	SW, TACT	EVQ11G04M	C756	87-012-286-080		CAP, U 0.01-25
S411	87-A90-095-080	SW, TACT	EVQ11G04M	C757	87-012-188-080		C-CAP, U 47P-50 CH
S412	87-A90-095-080	SW, TACT	EVQ11G04M	C758	87-012-167-080		C-CAP, U 5P-50 CH
S413	87-A90-095-080	SW, TACT	EVQ11G04M	C761	87-010-196-080		CHIP CAPACITOR, 0.1-25
S414	87-A90-095-080	SW, TACT	EVQ11G04M	C763	87-010-829-080		CAP, U 0.047-16
S421	87-A90-095-080	SW, TACT	EVQ11G04M	C764	87-012-337-080		C-CAP, U 56P-50 CH<30,50>
S422	87-A90-095-080	SW, TACT	EVQ11G04M	C765	87-012-286-080		CAP, U 0.01-25
S423	87-A90-095-080	SW, TACT	EVQ11G04M	C766	87-012-286-080		CAP, U 0.01-25
S424	87-A90-095-080	SW, TACT	EVQ11G04M	C769	87-010-260-080		CAP, ELECT 47-25V
S425	87-A90-095-080	SW, TACT	EVQ11G04M	C770	87-010-829-080		CAP, U 0.047-16
S426	87-A90-095-080	SW, TACT	EVQ11G04M	C771	87-010-383-080		CAP, ELECT 33-25V
S427	87-A90-095-080	SW, TACT	EVQ11G04M	C772	87-010-829-080		CAP, U 0.047-16
S428	87-A90-095-080	SW, TACT	EVQ11G04M	C773	87-010-196-080		CHIP CAPACITOR, 0.1-25
S429	87-A90-095-080	SW, TACT	EVQ11G04M	C774	87-010-263-080		CAP, ELECT 100-10V
S430	87-A90-095-080	SW, TACT	EVQ11G04M	C775	87-010-404-080		CAP, ELECT 4.7-50V
S441	87-A90-095-080	SW, TACT	EVQ11G04M	C776	87-012-286-080		CAP, U 0.01-25
S442	87-A90-095-080	SW, TACT	EVQ11G04M	C777	87-010-400-080		CAP, ELECT 0.47-50V
S443	87-A90-095-080	SW, TACT	EVQ11G04M	C778	87-010-401-080		CAP, ELECT 1-50V
S444	87-A90-095-080	SW, TACT	EVQ11G04M	C779	87-010-401-080		CAP, ELECT 1-50V
S445	87-A90-095-080	SW, TACT	EVQ11G04M	C780	87-010-196-080		CHIP CAPACITOR, 0.1-25
S446	87-A90-095-080	SW, TACT	EVQ11G04M	C781	87-010-405-080		CAP, ELECT 10-50V
S447	87-A90-095-080	SW, TACT	EVQ11G04M	C782	87-010-405-080		CAP, ELECT 10-50V
S449	87-A90-095-080	SW, TACT	EVQ11G04M	C783	87-012-286-080		CAP, U 0.01-25
S450	87-A90-095-080	SW, TACT	EVQ11G04M	C784	87-012-286-080		CAP, U 0.01-25
S451	87-A90-095-080	SW, TACT	EVQ11G04M	C785	87-010-805-080		CAP, S 1-16
SW101	87-A90-535-010	SW, RTRY	EC16B24304	C786	87-010-805-080		CAP, S 1-16
X101	87-A70-075-080	VIB, CER	4.19MHZ CRHF	C787	87-012-280-080		CAP, U 3300P-50
				C788	87-012-280-080		CAP, U 3300P-50
SW C.B				C789	87-012-275-080		C-CAP, U 1200P-50 B
S431	87-A90-095-080	SW, TACT	EVQ11G04M<50,70>	C790	87-012-275-080		C-CAP, U 1200P-50 B
S431	87-A90-696-080	SW, TACT	TS2103-03-430<30>	C791	87-010-405-080		CAP, ELECT 10-50V
S432	87-A90-095-080	SW, TACT	EVQ11G04M<50,70>	C793	87-012-273-080		C-CAP, U 820P-50 B
S432	87-A90-696-080	SW, TACT	TS2103-03-430<30>	C794	87-010-406-080		CAP, ELECT 22-50
S448	87-A90-095-080	SW, TACT	EVQ11G04M<50,70>	C795	87-010-596-080		CAP, S 0.047-16
S448	87-A90-696-080	SW, TACT	TS2103-03-430<30>	C796	87-010-403-080		CAP, ELECT 3.3-50V
				C797	87-012-278-080		C-CAP, U 2200P-50 B
				C798	87-012-278-080		C-CAP, U 2200P-50 B
				C799	87-010-829-080		CAP, U 0.047-16
JACK C.B				C812	87-012-286-080		CAP, U 0.01-25
C501	87-018-209-080	CAP, CER	0.1-50V	C813	87-010-197-080		CAP, CHIP 0.01 DM
C502	87-018-209-080	CAP, TC-U	0.1-50V ZF	C814	87-012-286-080		CAP, U 0.01-25
C503	87-018-209-080	CAP, TC-U	0.1-50V ZF	C819	87-010-197-080		CAP, CHIP 0.01 DM
C504	87-018-202-080	CAP, TC-U	6800P-16N	C820	87-010-260-080		CAP, ELECT 47-25V
C505	87-018-202-080	CAP, TC-U	6800P-16N	C821	87-012-286-080		CAP, U 0.01-25
C602	87-018-209-080	CAP, CER	0.1-50V	C822	87-012-286-080		CAP, U 0.01-25
FB501	87-008-372-080	FILTER, EMI	BL OIRNI	C823	87-012-286-080		CAP, U 0.01-25
FB602	87-008-372-080	FILTER, EMI	BL OIRNI	C828	87-010-196-080		CHIP CAPACITOR, 0.1-25
J501	87-A60-606-010	JACK, PIN	3P R/W/Y W/O SW H	C829	87-010-196-080		CHIP CAPACITOR, 0.1-25
J603	87-A60-550-010	JACK, DIA	6.3 BLK ST W/SW KM	C959	87-010-196-080		CHIP CAPACITOR, 0.1-25
TUNER C.B				C960	87-010-196-080		CHIP CAPACITOR, 0.1-25
C701	87-010-260-080	CAP, ELECT	47-25V	C961	87-012-170-080		C-CAP, U 8P-50 CH
C702	87-010-404-080	CAP, ELECT	4.7-50V	CF801	87-008-261-010		FILTER, SFE10.7MA5-A
C703	87-012-286-080	CAP, U	0.01-25	CF802	87-008-261-010		FILTER, SFE10.7MA5-A
C704	87-012-286-080	CAP, U	0.01-25	CN601	87-099-028-010		CONN, 11P 6216 H
C709	87-012-195-080	C-CAP, U	100P-50CH<70>	FFE801	A8-8ZA-190-030		8ZA-1 FEUMM
C711	87-010-263-080	CAP, ELECT	100-10V	J801	87-A60-657-010		TERMINAL, 4P HSP-154V5-J2
C712	87-010-196-080	CHIP CAPACITOR,	0.1-25	L771	87-A50-266-010		COIL, FM DET-2N(TOK)
C713	87-012-286-080	CAP, U	0.01-25	L772	87-A90-733-010		FLTR, PCFAZH-450 (TOK)
C714	87-012-286-080	CAP, U	0.01-25	L781	87-005-847-080		COIL, 2.2UH(CRCS)
C717	87-012-286-080	CAP, U	0.01-25	L791	87-A50-209-010		COIL, 1POLE MPX(MIT)
C719	87-012-286-080	CAP, U	0.01-25	L792	87-A50-209-010		COIL, 1POLE MPX(MIT)
C721	87-012-176-080	CAP 15P		L832	87-005-847-080		COIL, 2.2UH(CRCS)
C722	87-012-176-080	CAP 15P		L981	87-NF4-650-010		COIL, AM PACK 4N(TOK)
C723	87-012-274-080	CHIP CAP, U	1000P-50B	X721	87-A70-061-010		VIB, XTAL 4.500MHZ CSA-JD9
C725	87-012-274-080	CHIP CAP, U	1000P-50B				
C727	87-010-196-080	CHIP CAPACITOR,	0.1-25				

REF. NO	PART NO.	KANRI NO.	DESCRIPTION	REF. NO	PART NO.	KANRI NO.	DESCRIPTION
C750	87-010-196-080		CHIP CAPACITOR, 0.1-25<30, 50>	AC-3			C.B<70>
C751	87-010-193-080		CHIP CAPACITOR, 0.033<30, 50>				
C752	87-010-993-080		C-CAP, S 0.056-25 B<30, 50>	C101	87-010-196-080		CHIP CAPACITOR, 0.1-25<70>
C753	87-010-196-080		CHIP CAPACITOR, 0.1-25<30, 50>	C102	87-010-374-080		CAP, ELECT 47-10V<70>
C754	87-010-196-080		CHIP CAPACITOR, 0.1-25<30, 50>	C103	87-010-314-080		C-CAP, S 22P-50V<70>
				C104	87-010-313-080		CAP, CHIP 18P<70>
				C105	87-010-196-080		CHIP CAPACITOR, 0.1-25<70>
C755	87-010-196-080		CHIP CAPACITOR, 0.1-25<30, 50>				
C756	87-010-402-080		CAP, ELECT 2.2-50V<30, 50>	C106	87-010-197-080		CAP, CHIP 0.01 DM<70>
C801	87-010-176-080		C-CAP, S 680P-50 SL<30, 50>	C107	87-010-196-080		CHIP CAPACITOR, 0.1-25<70>
C802	87-010-176-080		C-CAP, S 680P-50 SL<30, 50>	C108	87-010-196-080		CHIP CAPACITOR, 0.1-25<70>
C807	87-010-405-080		CAP, ELECT 10-50V<30, 50>	C109	87-010-196-080		CHIP CAPACITOR, 0.1-25<70>
				C110	87-010-196-080		CHIP CAPACITOR, 0.1-25<70>
C808	87-010-405-080		CAP, ELECT 10-50V<30, 50>				
C809	87-016-456-080		CAP, E 22-16 LLA<30, 50>	C111	87-010-196-080		CHIP CAPACITOR, 0.1-25<70>
C810	87-010-178-080		CHIP CAP 1000P<30, 50>	C112	87-010-404-080		CAP, ELECT 4.7-50V<70>
C811	87-010-380-080		CAP, ELECT 47-16V<30, 50>	C113	87-010-196-080		CHIP CAPACITOR, 0.1-25<70>
C813	87-016-472-080		CAP, E 22-16 SME(K)<30, 50>	C114	87-010-196-080		CHIP CAPACITOR, 0.1-25<70>
				C115	87-010-374-080		CAP, ELECT 47-10V<70>
C814	87-010-196-080		CHIP CAPACITOR, 0.1-25<30, 50>				
C815	87-010-112-080		CAP, ELECT 100-16V<30, 50>	C116	87-012-140-080		CAP 470P<70>
C816	87-010-263-080		CAP, ELECT 100-10V<30, 50>	C117	87-010-198-080		CAP, CHIP 0.022<70>
C817	87-010-314-080		C-CAP, S 22P-50V<30, 50>	C118	87-010-401-080		CAP, ELECT 1-50V<70>
C818	87-010-401-080		CAP, ELECT 1-50V<30, 50>	C119	87-010-196-080		CHIP CAPACITOR, 0.1-25<70>
				C120	87-010-196-080		CHIP CAPACITOR, 0.1-25<70>
C819	87-010-404-080		CAP, ELECT 4.7-50V<30, 50>				
C820	87-010-404-080		CAP, ELECT 4.7-50V<30, 50>	C121	87-010-401-080		CAP, ELECT 1-50V<70>
C821	87-010-404-080		CAP, ELECT 4.7-50V<30, 50>	C122	87-010-311-080		CAP 12P<70>
C822	87-010-404-080		CAP, ELECT 4.7-50V<30, 50>	C123	87-010-311-080		CAP 12P<70>
C823	87-010-378-080		CAP, ELECT 10-16V<30, 50>	C124	87-010-263-080		CAP, ELECT 100-10V<70>
				C125	87-010-196-080		CHIP CAPACITOR, 0.1-25<70>
C824	87-010-378-080		CAP, ELECT 10-16V<30, 50>				
C825	87-010-401-080		CAP, ELECT 1-50V<30, 50>	C126	87-010-196-080		CHIP CAPACITOR, 0.1-25<70>
C826	87-010-401-080		CAP, ELECT 1-50V<30, 50>	C127	87-010-555-040		CAP, E 100-10 GAS<70>
C827	87-010-178-080		CHIP CAP 1000P<30, 50>	C128	87-010-196-080		CHIP CAPACITOR, 0.1-25<70>
C828	87-010-178-080		CHIP CAP 1000P<30, 50>	C129	87-010-384-080		CAP, ELECT 100-25V<70>
				C131	87-010-263-080		CAP, ELECT 100-10V<70>
C829	87-016-081-080		C-CAP, S 0.1-16 RK<30, 50>				
C830	87-010-248-080		CAP, ELECT 220-10V<30, 50>	C132	87-010-401-080		CAP, ELECT 1-50V<70>
C831	87-012-140-080		CAP 470P<30, 50>	C133	87-010-196-080		CHIP CAPACITOR, 0.1-25<70>
C832	87-010-186-080		CAP, CHIP 4700P<30, 50>	C134	87-010-196-080		CHIP CAPACITOR, 0.1-25<70>
C835	87-A10-229-080		C-CAP, S 0.68-10 K W5<30, 50>	C135	87-010-405-080		CAP, ELECT 10-50V<70>
				C136	87-010-405-080		CAP, ELECT 10-50V<70>
C836	87-010-186-080		CAP, CHIP 4700P<30, 50>				
C837	87-010-404-080		CAP, ELECT 4.7-50V<30, 50>	C137	87-010-196-080		CHIP CAPACITOR, 0.1-25<70>
C838	87-012-393-080		C-CAP, S 0.22-16 R K<30, 50>	C138	87-010-196-080		CHIP CAPACITOR, 0.1-25<70>
C839	87-012-393-080		C-CAP, S 0.22-16 R K<30, 50>	C139	87-010-314-080		C-CAP, S 22P-50V<70>
C840	87-010-404-080		CAP, ELECT 4.7-50V<30, 50>	C140	87-010-552-040		CAP, E 22-16 GAS<70>
				C141	87-010-196-080		CHIP CAPACITOR, 0.1-25<70>
C841	87-010-404-080		CAP, ELECT 4.7-50V<30, 50>				
C842	87-012-393-080		C-CAP, S 0.22-16 R K<30, 50>	C142	87-010-182-080		C-CAP, S 2200P-50 B<70>
C843	87-012-393-080		C-CAP, S 0.22-16 R K<30, 50>	C143	87-010-196-080		CHIP CAPACITOR, 0.1-25<70>
C844	87-016-081-080		C-CAP, S 0.1-16 RK<30, 50>	C145	87-012-154-080		C-CAP, S 150P-50 CH<70>
C847	87-016-081-080		C-CAP, S 0.1-16 RK<30, 50>	C146	87-012-154-080		C-CAP, S 150P-50 CH<70>
				C147	87-010-405-080		CAP, ELECT 10-50V<70>
C848	87-016-081-080		C-CAP, S 0.1-16 RK<30, 50>				
C851	87-016-081-080		C-CAP, S 0.1-16 RK<30, 50>	C148	87-010-196-080		CHIP CAPACITOR, 0.1-25<70>
C852	87-010-314-080		C-CAP, S 22P-50V<30, 50>	C149	87-010-196-080		CHIP CAPACITOR, 0.1-25<70>
C853	87-016-460-080		C-CAP, S 0.22-16 B<30, 50>	C150	87-010-405-080		CAP, ELECT 10-50V<70>
C854	87-016-460-080		C-CAP, S 0.22-16 B<30, 50>	C151	87-010-405-080		CAP, ELECT 10-50V<70>
				C152	87-010-405-080		CAP, ELECT 10-50V<70>
C855	87-010-196-080		CHIP CAPACITOR, 0.1-25<30, 50>				
C856	87-016-526-080		C-CAP, S 0.47-16 BK<30, 50>	C153	87-010-178-080		CHIP CAP 1000P<70>
C857	87-010-183-080		C-CAP, S 2700P-50 B<30, 50>	C154	87-010-178-080		CHIP CAP 1000P<70>
C858	87-010-176-080		C-CAP, S 680P-50 SL<30, 50>	C155	87-A10-369-080		C-CAP, S 0.47-16 K B<70>
C859	87-016-552-080		C-CAP, S 0.082-16 B K<30, 50>	C157	87-012-154-080		C-CAP, S 150P-50 CH<70>
				C158	87-012-154-080		C-CAP, S 150P-50 CH<70>
C860	87-016-552-080		C-CAP, S 0.082-16 B K<30, 50>				
C861	87-010-183-080		C-CAP, S 2700P-50 B<30, 50>	C159	87-010-178-080		CHIP CAP 1000P<70>
C862	87-010-176-080		C-CAP, S 680P-50 SL<30, 50>	C160	87-010-178-080		CHIP CAP 1000P<70>
C863	87-A10-830-080		C-CAP, S 0.33-16 K<30, 50>	C161	87-010-405-080		CAP, ELECT 10-50V<70>
C864	87-010-403-080		CAP, ELECT 3.3-50V<30, 50>	C162	87-010-405-080		CAP, ELECT 10-50V<70>
				C163	87-010-196-080		CHIP CAPACITOR, 0.1-25<70>
C865	87-010-263-080		CAP, ELECT 100-10V<30, 50>				
C866	87-010-263-080		CAP, ELECT 100-10V<30, 50>	C164	87-010-196-080		CHIP CAPACITOR, 0.1-25<70>
C867	87-010-404-080		CAP, ELECT 4.7-50V<30, 50>	C165	87-A10-369-080		C-CAP, S 0.47-16 K B<70>
C868	87-018-134-080		CAPACITOR, TC-U 0.01-16<30, 50>	C166	87-010-405-080		CAP, ELECT 10-50V<70>
C869	87-010-196-080		CHIP CAPACITOR, 0.1-25<30, 50>	C167	87-010-405-080		CAP, ELECT 10-50V<70>
				C169	87-012-154-080		C-CAP, S 150P-50 CH<70>
C870	87-010-314-080		C-CAP, S 22P-50V<30, 50>				
FB802	87-008-372-080		FILTER, EMI BL OIRNI<30, 50>	C170	87-012-154-080		C-CAP, S 150P-50 CH<70>
R827	87-A00-296-080		C-RES, 100K-1/8W F<30, 50>	C171	87-010-178-080		CHIP CAP 1000P<70>
				C172	87-010-178-080		CHIP CAP 1000P<70>

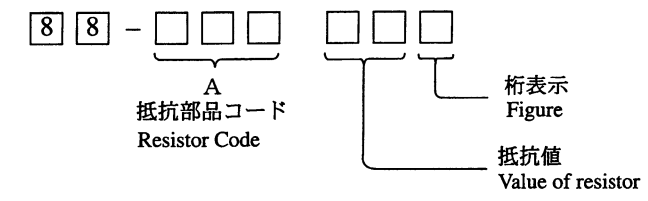
REF. NO	PART NO.	KANRI NO.	DESCRIPTION
C174	87-010-196-080		CHIP CAPACITOR, 0.1-25<70>
C175	87-010-196-080		CHIP CAPACITOR, 0.1-25<70>
C177	87-A10-369-080		C-CAP,S 0.47-16 K B<70>
C178	87-010-196-080		CHIP CAPACITOR, 0.1-25<70>
C179	87-010-196-080		CHIP CAPACITOR, 0.1-25<70>
C180	87-010-405-080		CAP, ELECT 10-50V<70>
C181	87-010-405-080		CAP, ELECT 10-50V<70>
C182	87-010-405-080		CAP, ELECT 10-50V<70>
C183	87-010-196-080		CHIP CAPACITOR, 0.1-25<70>
C184	87-010-196-080		CHIP CAPACITOR, 0.1-25<70>
C185	87-010-405-080		CAP, ELECT 10-50V<70>
C186	87-010-405-080		CAP, ELECT 10-50V<70>
C187	87-010-196-080		CHIP CAPACITOR, 0.1-25<70>
C188	87-010-196-080		CHIP CAPACITOR, 0.1-25<70>
C189	87-010-196-080		CHIP CAPACITOR, 0.1-25<70>
C190	87-010-405-080		CAP, ELECT 10-50V<70>
C191	87-010-196-080		CHIP CAPACITOR, 0.1-25<70>
C192	87-010-196-080		CHIP CAPACITOR, 0.1-25<70>
C193	87-010-154-080		CAP CHIP 10P<70>
C194	87-010-154-080		CAP CHIP 10P<70>
C195	87-010-405-080		CAP, ELECT 10-50V<70>
C196	87-010-196-080		CHIP CAPACITOR, 0.1-25<70>
C197	87-010-405-080		CAP, ELECT 10-50V<70>
C198	87-010-196-080		CHIP CAPACITOR, 0.1-25<70>
C199	87-A10-369-080		C-CAP,S 0.47-16 K B<70>
C201	87-010-154-080		CAP CHIP 10P<70>
C202	87-010-154-080		CAP CHIP 10P<70>
C203	87-010-196-080		CHIP CAPACITOR, 0.1-25<70>
C204	87-010-196-080		CHIP CAPACITOR, 0.1-25<70>
C205	87-A10-369-080		C-CAP,S 0.47-16 K B<70>
C206	87-010-401-080		CAP, ELECT 1-50V<70>
C207	87-010-405-080		CAP, ELECT 10-50V<70>
C208	87-010-405-080		CAP, ELECT 10-50V<70>
C209	87-010-154-080		CAP CHIP 10P<70>
C210	87-010-154-080		CAP CHIP 10P<70>
C211	87-010-196-080		CHIP CAPACITOR, 0.1-25<70>
C212	87-010-196-080		CHIP CAPACITOR, 0.1-25<70>
C213	87-A10-369-080		C-CAP,S 0.47-16 K B<70>
C214	87-010-405-080		CAP, ELECT 10-50V<70>
C215	87-010-405-080		CAP, ELECT 10-50V<70>
C216	87-010-405-080		CAP, ELECT 10-50V<70>
C219	87-010-993-080		C-CAP,S 0.056-25 B<70>
C220	87-A10-369-080		C-CAP,S 0.47-16 K B<70>
C222	87-010-196-080		CHIP CAPACITOR, 0.1-25<70>
C224	87-010-196-080		CHIP CAPACITOR, 0.1-25<70>
C227	87-010-405-080		CAP, ELECT 10-50V<70>
C228	87-010-405-080		CAP, ELECT 10-50V<70>
C236	87-010-196-080		CHIP CAPACITOR, 0.1-25<70>
C237	87-010-196-080		CHIP CAPACITOR, 0.1-25<70>
C238	87-010-314-080		C-CAP,S 22P-50V<70>
C239	87-010-196-080		CHIP CAPACITOR, 0.1-25<70>
C240	87-010-314-080		C-CAP,S 22P-50V<70>
C241	87-010-405-080		CAP, ELECT 10-50V<70>
C242	87-010-196-080		CHIP CAPACITOR, 0.1-25<70>
C243	87-010-322-080		C-CAP,S 100P-50 CH<70>
C280	87-010-401-080		CAP, ELECT 1-50V<70>
C301	87-012-393-080		C-CAP,S 0.22-16 R K<70>
C302	87-012-393-080		C-CAP,S 0.22-16 R K<70>
C303	87-010-196-080		CHIP CAPACITOR, 0.1-25<70>
C304	87-012-393-080		C-CAP,S 0.22-16 R K<70>
C305	87-010-184-080		CHIP CAPACITOR 3300P(K)<70>
C306	87-010-183-080		C-CAP,S 2700P-50 B<70>
C307	87-016-669-080		C-CAP,S 0.1-25 K B<70>
C308	87-016-669-080		C-CAP,S 0.1-25 K B<70>
C309	87-010-184-080		CHIP CAPACITOR 3300P(K)<70>
C310	87-010-183-080		C-CAP,S 2700P-50 B<70>
C311	87-012-393-080		C-CAP,S 0.22-16 R K<70>
C312	87-010-374-080		CAP, ELECT 47-10V<70>
C313	87-010-196-080		CHIP CAPACITOR, 0.1-25<70>
C315	87-010-404-080		CAP, ELECT 4.7-50V<70>

REF. NO	PART NO.	KANRI NO.	DESCRIPTION
C316	87-010-404-080		CAP, ELECT 4.7-50V<70>
C317	87-010-183-080		C-CAP,S 2700P-50 B<70>
C318	87-010-183-080		C-CAP,S 2700P-50 B<70>
C319	87-010-545-080		CAP, ELECT 0.22-50V<70>
C320	87-010-196-080		CHIP CAPACITOR, 0.1-25<70>
C321	87-010-263-080		CAP, ELECT 100-10V<70>
CN103	88-AR1-658-010		CONN ASSY,2P (AC-3)<70>
FB101	87-008-372-080		FILTER, EMI BL OIRNI<70>
FB102	87-008-372-080		FILTER, EMI BL OIRNI<70>
FB103	87-008-372-080		FILTER, EMI BL OIRNI<70>
FB104	87-008-372-080		FILTER, EMI BL OIRNI<70>
FB105	87-008-372-080		FILTER, EMI BL OIRNI<70>
FB118	87-008-474-080		F-BEAD,EMI BL02RNI<70>
FB119	87-008-474-080		F-BEAD,EMI BL02RNI<70>
FB157	87-008-474-080		F-BEAD,EMI BL02RNI<70>
J101	87-A60-573-010		JACK,PIN 1P ORN<70>
L102	87-A50-095-010		COIL,68UH RCR875D<70>
L103	87-005-274-080		COIL,68UH K LAL03<70>
L104	87-008-501-080		FLTR,DSS306-B101<70>
L105	87-008-501-080		FLTR,DSS306-B101<70>
X101	87-A70-116-010		VIB,XTAL 10.00MHZ<70>
X102	87-A70-115-010		VIB,XTAL 12.288MHZ<70>
OSD C.B<70>			
C101	87-010-263-080		CAP, ELECT 100-10V<70>
C102	87-010-196-080		CHIP CAPACITOR, 0.1-25<70>
C103	87-010-400-080		CAP, ELECT 0.47-50V<70>
C104	87-010-315-080		C-CAP,S 27P-50 CH<70>
C106	87-012-159-080		C-CAP,S 24P-50 CH<70>
C107	87-010-198-080		CAP, CHIP 0.022<70>
C108	87-010-805-080		CAP, S 1-16<70>
C110	87-010-401-080		CAP, ELECT 1-50V<70>
C111	87-010-545-080		CAP, ELECT 0.22-50V<70>
C113	87-010-196-080		CHIP CAPACITOR, 0.1-25<70>
C114	87-016-079-040		CAP,E 100-6.3 MJ<70>
C115	87-010-149-080		C-CAP,S 5P-50 CH<70>
C116	87-010-149-080		C-CAP,S 5P-50 CH<70>
C117	87-012-150-080		C-CAP,S 20P-50 CH<70>
C118	87-010-316-080		C-CAP,S 33P-50 CH<70>
C119	87-010-401-080		CAP, ELECT 1-50V<70>
C121	87-010-401-080		CAP, ELECT 1-50V<70>
C122	87-010-322-080		C-CAP,S 100P-50 CH<70>
C125	87-012-154-080		C-CAP,S 150P-50 CH<70>
L101	87-A50-083-080		COIL,47UH (CECS)<70>
L102	87-005-839-080		COIL,5.6UH G LF5.0S<70>
L103	87-A50-083-080		COIL,47UH (CECS)<70>
L104	87-005-849-080		COIL,10UH (CECS)<70>
X101	80-JUL-676-080		VIB,XTAL 14.31MHZ<70>
SUR RY C.B<50,70>			
RY101	87-A90-143-010		RELAY,DG12D-0S(M)<50,70>
POWER-1 C.B			
△ F101	87-035-494-010		FUSE,10A 125V T237<50,70>
△ F101	87-035-493-010		FUSE,8A 125V T237<30>
△ FC1	87-A90-160-080		FUSE CLAMP,FC 51F
△ FC2	87-A90-160-080		FUSE CLAMP,FC 51F
△ PT101	88-AR1-650-010		PT,8AR-1(U)<50,70>
△ PT101	88-AR3-601-010		PT,8AR-3(U)<30>
△ T1	87-A60-317-010		TERMINAL, 1P MSC
△ T2	87-A60-317-010		TERMINAL, 1P MSC
POWER-2 C.B			
△ PR105	87-026-691-080		FUSE,10A 125V 251
△ PR106	87-026-691-080		FUSE,10A 125V 251

REF. NO	PART NO.	KANRI NO.	DESCRIPTION
SUB C.B			
C101	87-010-378-080		CAP,E 10-16V
C103	87-010-378-080		CAP,E 10-16V
C104	87-012-368-080		C-CAP,S 0.1-50 F
C105	87-012-368-080		C-CAP,S 0.1-50 F

○ チップ抵抗部品コード / CHIP RESISTOR PART CODE

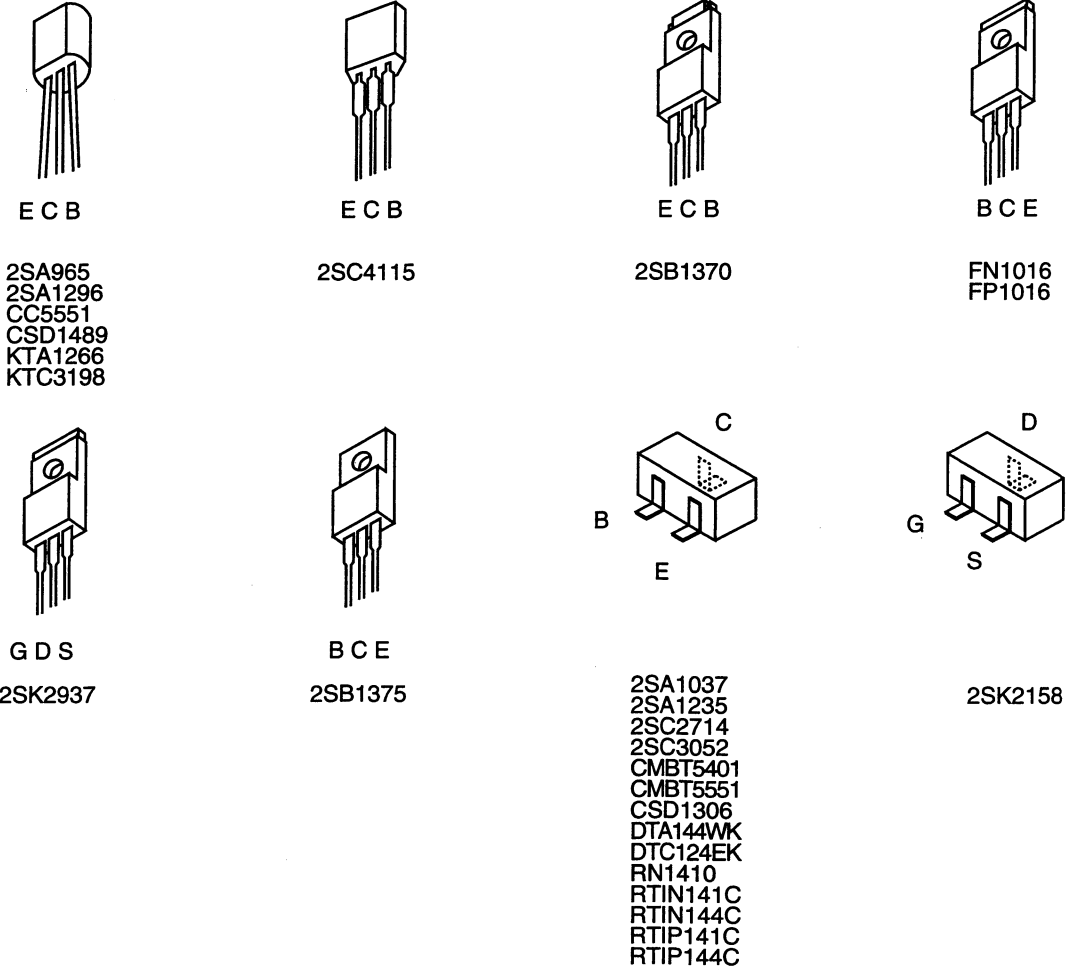
チップ抵抗部品コードの成り立ち  
Chip Resistor Part Coding



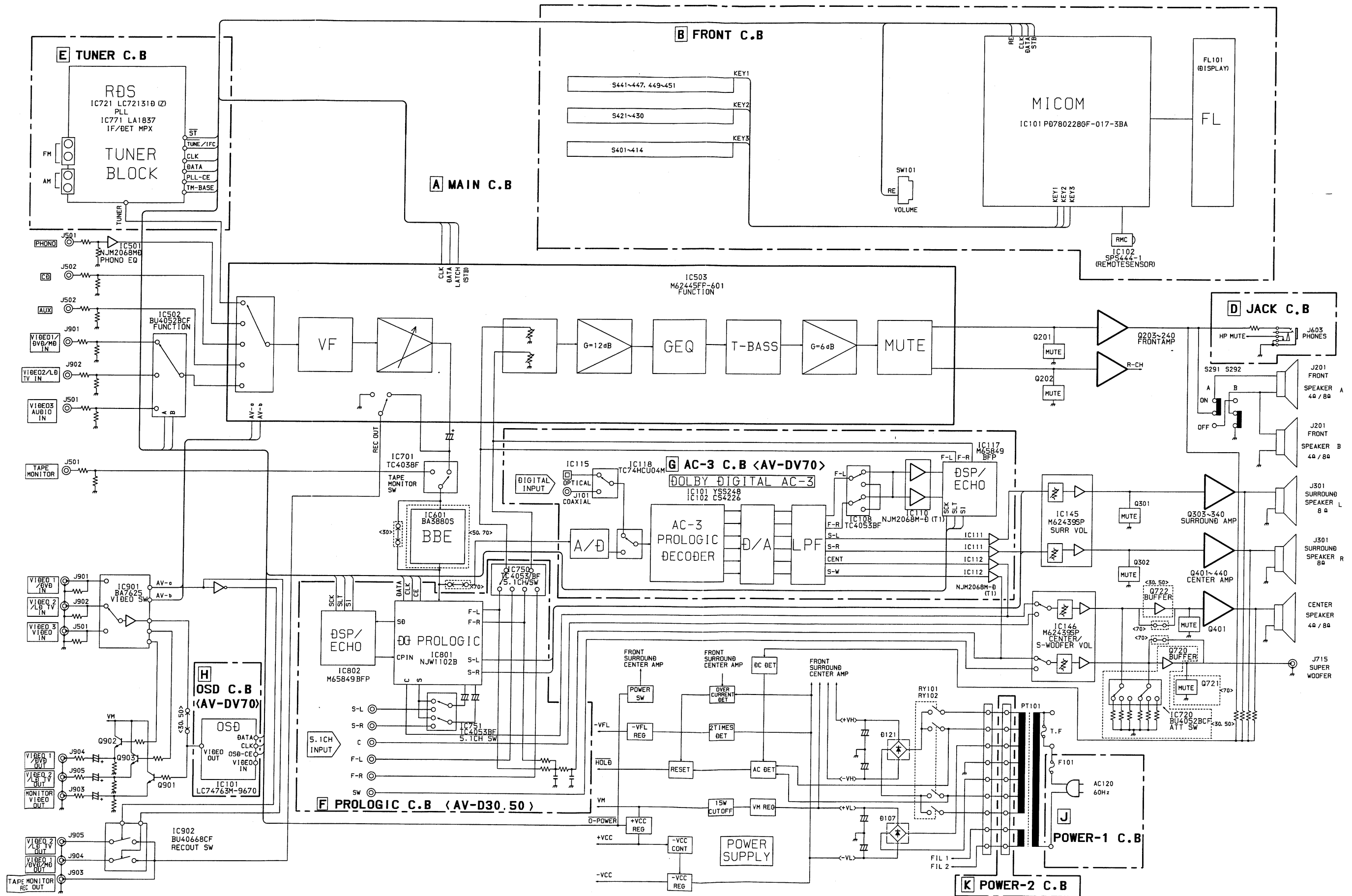
チップ抵抗  
Chip resistor

容量 Wattage	種類 Type	許容誤差 Tolerance	記号 Symbol	寸法 / Dimensions (mm)			抵抗コード : A Resistor Code : A	
				外形 / Form	L	W		t
1/16W	1608	5%	CJ		1.6	0.8	0.45	108
1/10W	2125	5%	CJ		2	1.25	0.45	118
1/8W	3216	5%	CJ		3.2	1.6	0.55	128

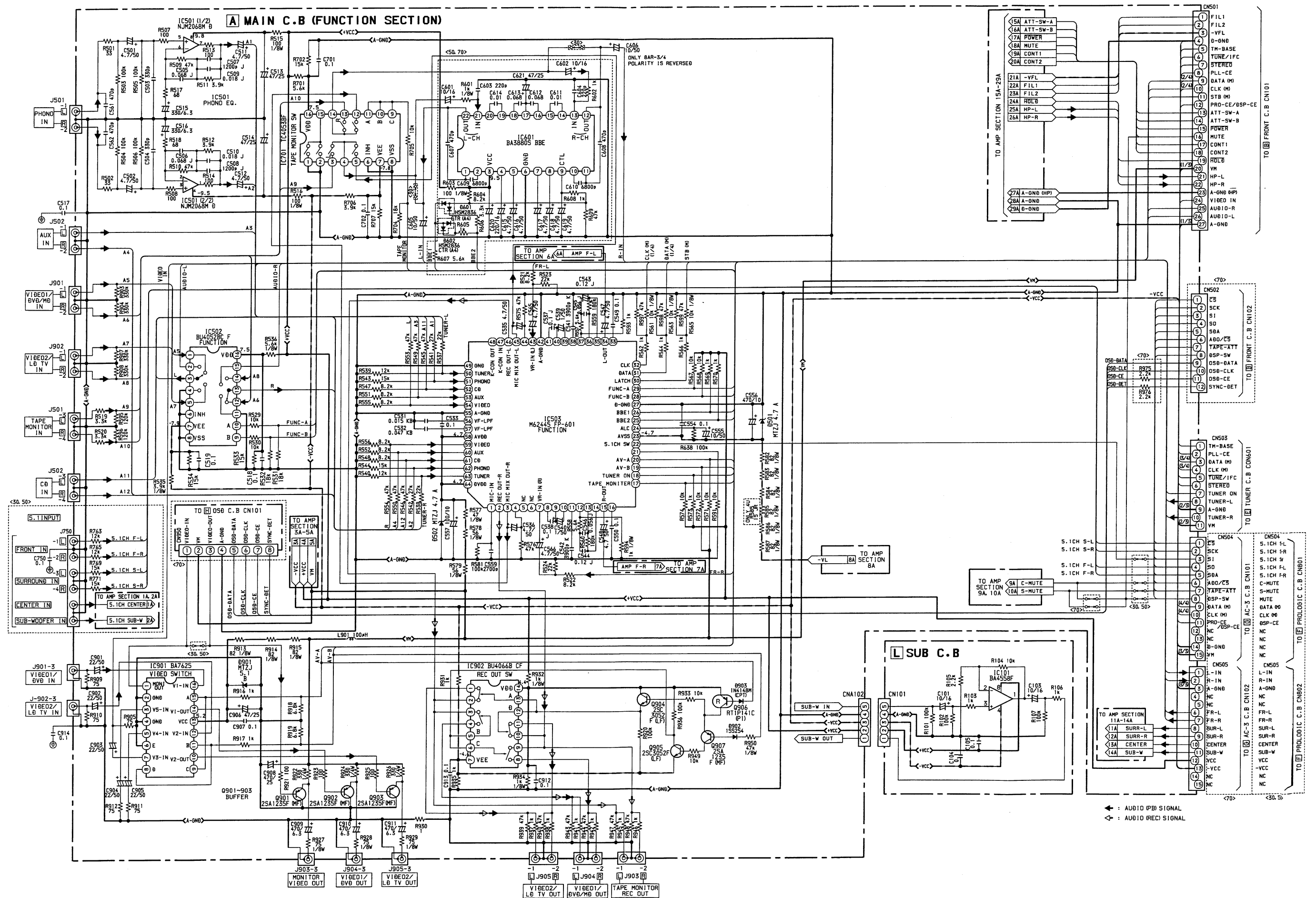
TRANSISTOR ILLUSTRATION



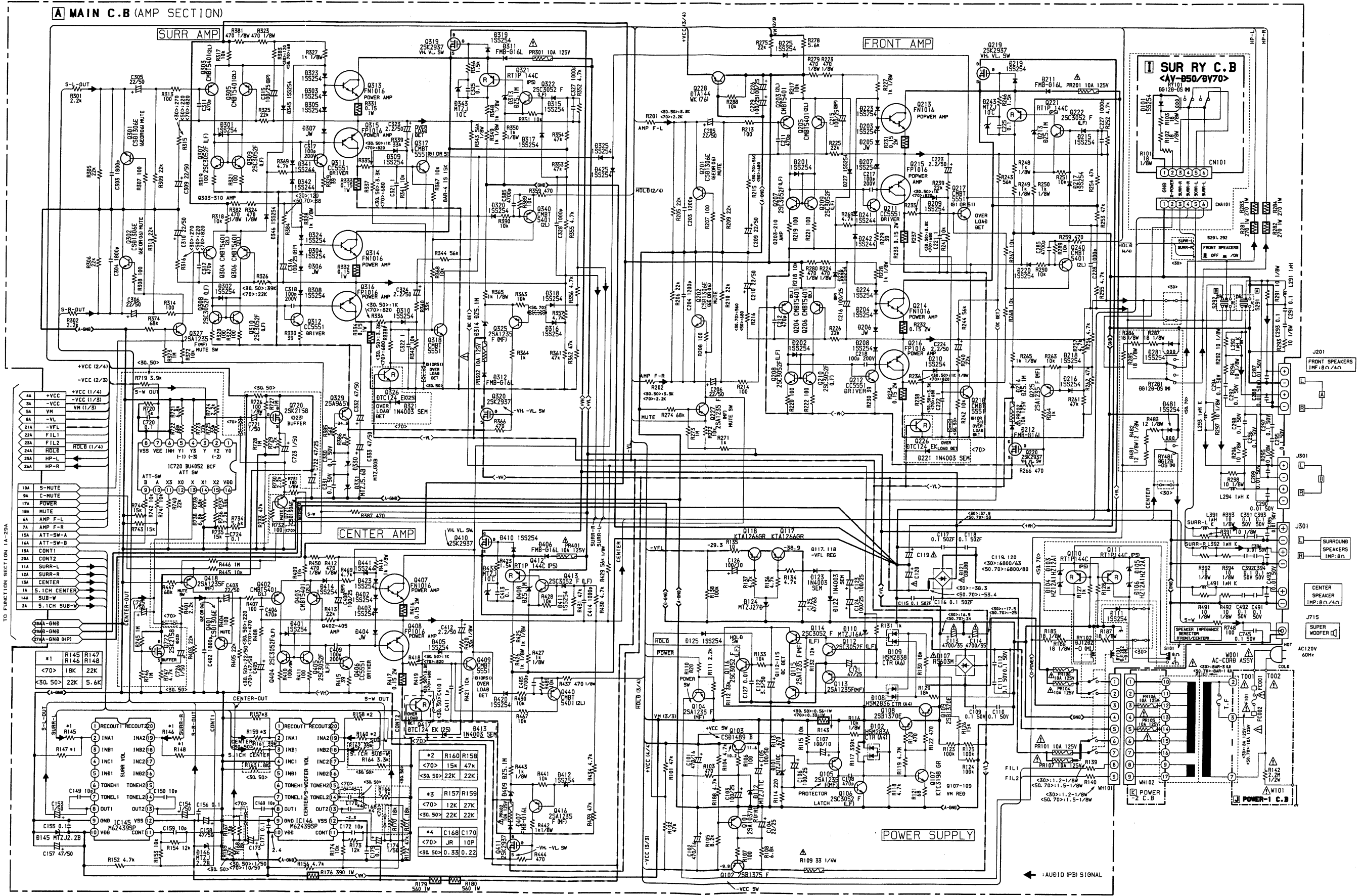
BLOCK DIAGRAM



SCHEMATIC DIAGRAM-1 (MAIN-FUNC SECTION)



SCHEMATIC DIAGRAM-2 (MAIN-AMP SECTION)

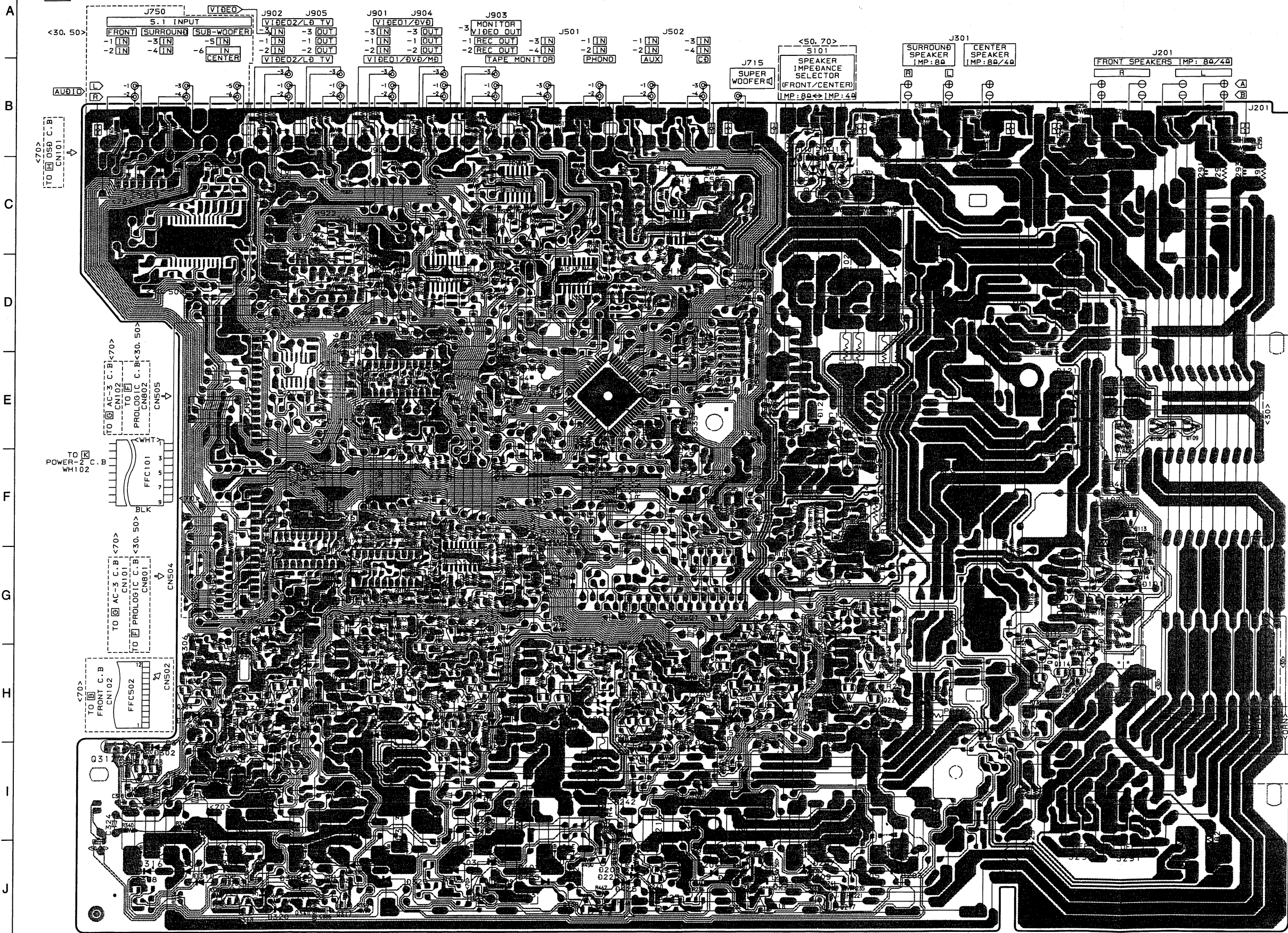
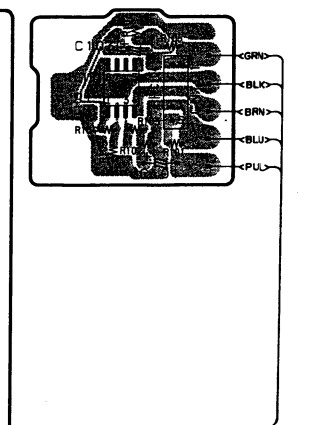


WIRING-1 (MAIN SECTION)

1 2 3 4 5 6 7 8 9 10 11 12 13 14

A MAIN C.B

SUB C.B  
<AV-D30>



A  
B  
C  
D  
E  
F  
G  
H  
I  
J

<30, 50>

<70>

<70>

TO POWER-2 C.B  
WH102

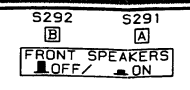
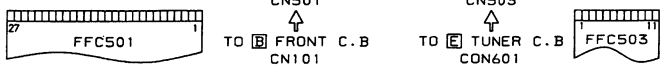
<70>

TO FRONT C.B  
CN102

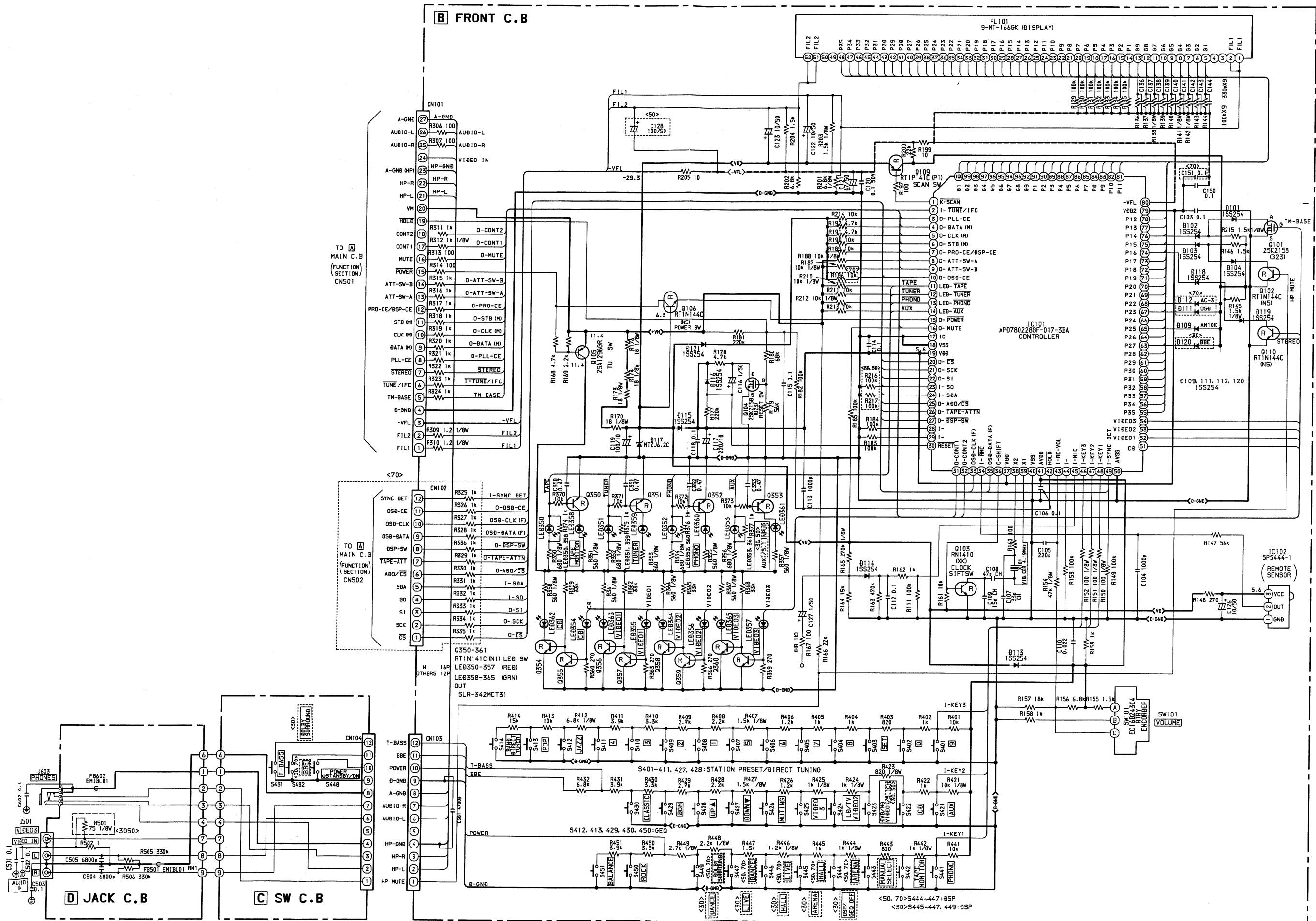
<70>

<50, 70>

TO SURRY C.B  
CN101



SCHEMATIC DIAGRAM-3 (FRONT SECTION)

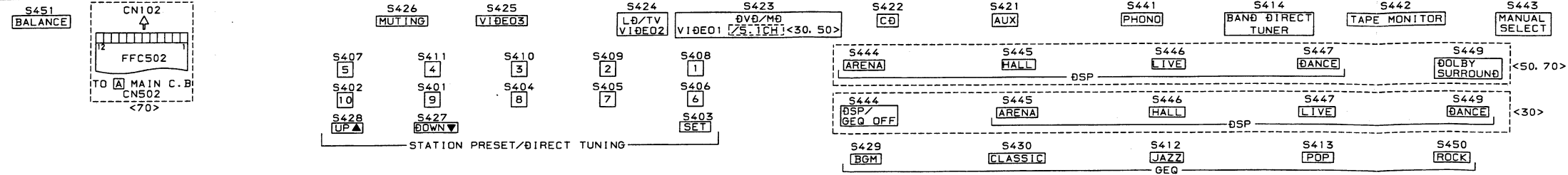
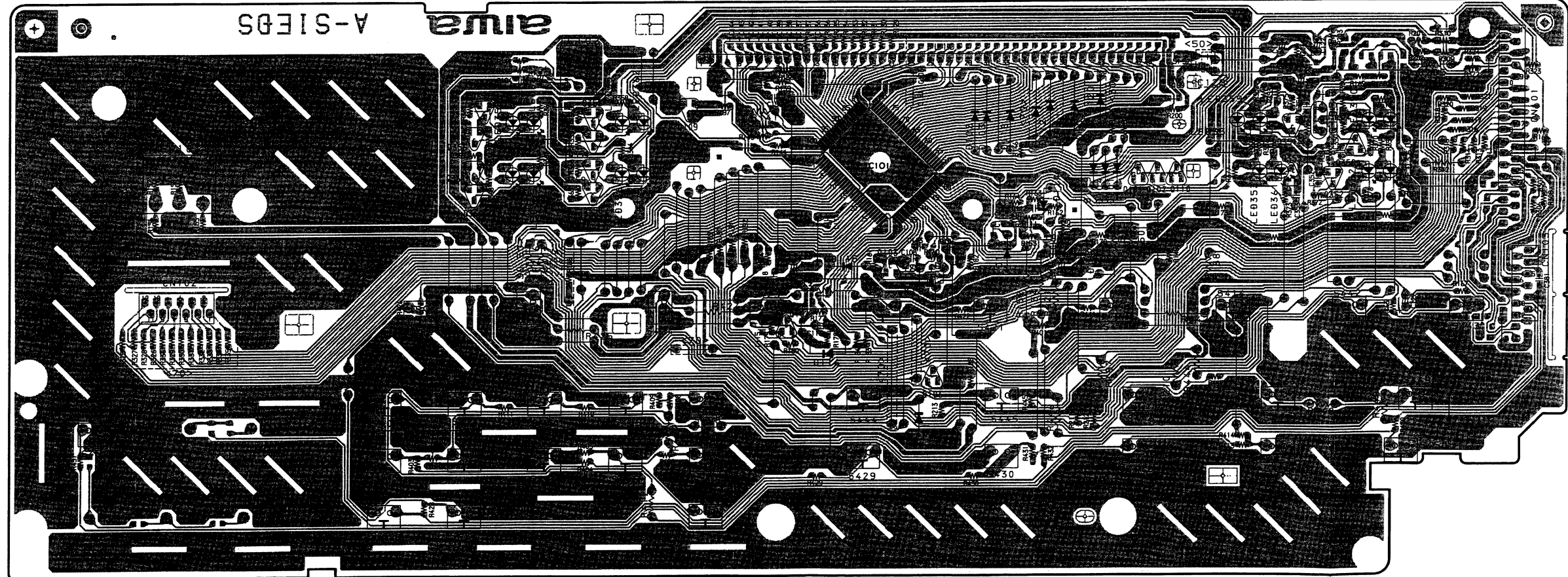
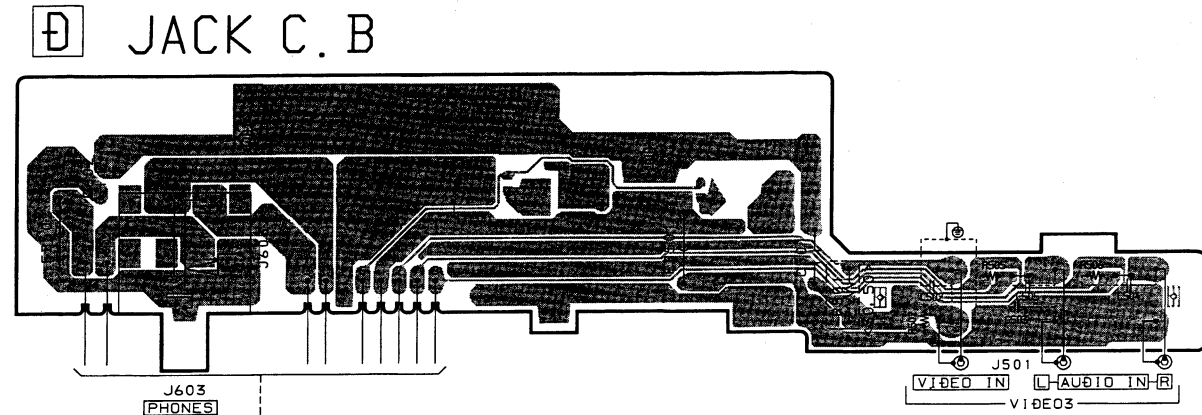
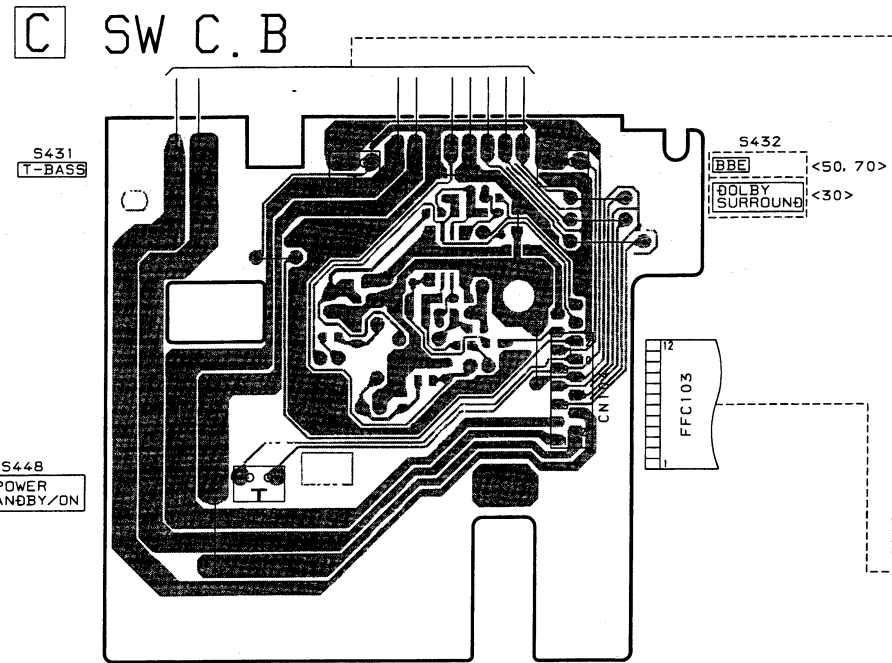




WIRING-2 (FRONT SECTION)

1 2 3 4 5 6 7 8 9 10 11 12 13 14

A  
B  
C  
D  
E  
F  
G  
H  
I  
J



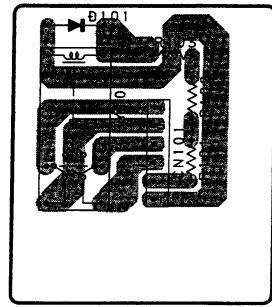


WIRING-3 (AC-3, OSD, SUR-RF SECTION)

1 2 3 4 5 6 7 8 9 10 11 12 13 14

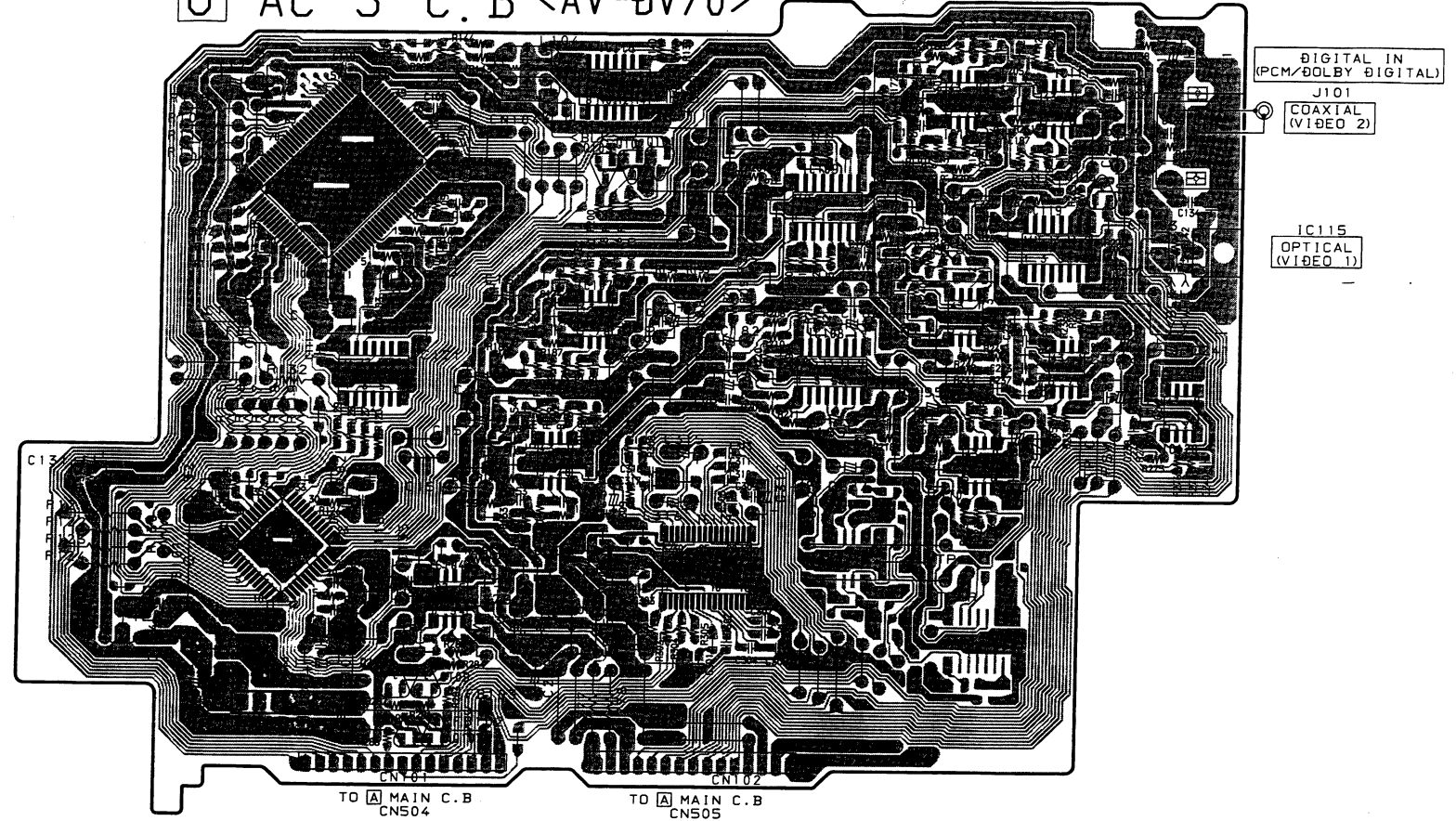
A  
B  
C  
D  
E

**I** SUR RY C. B  
<AV-Ø50/ØV70>



TO **A** MAIN C. B  
CNA101

**G** AC-3 C. B <AV-ØV70>



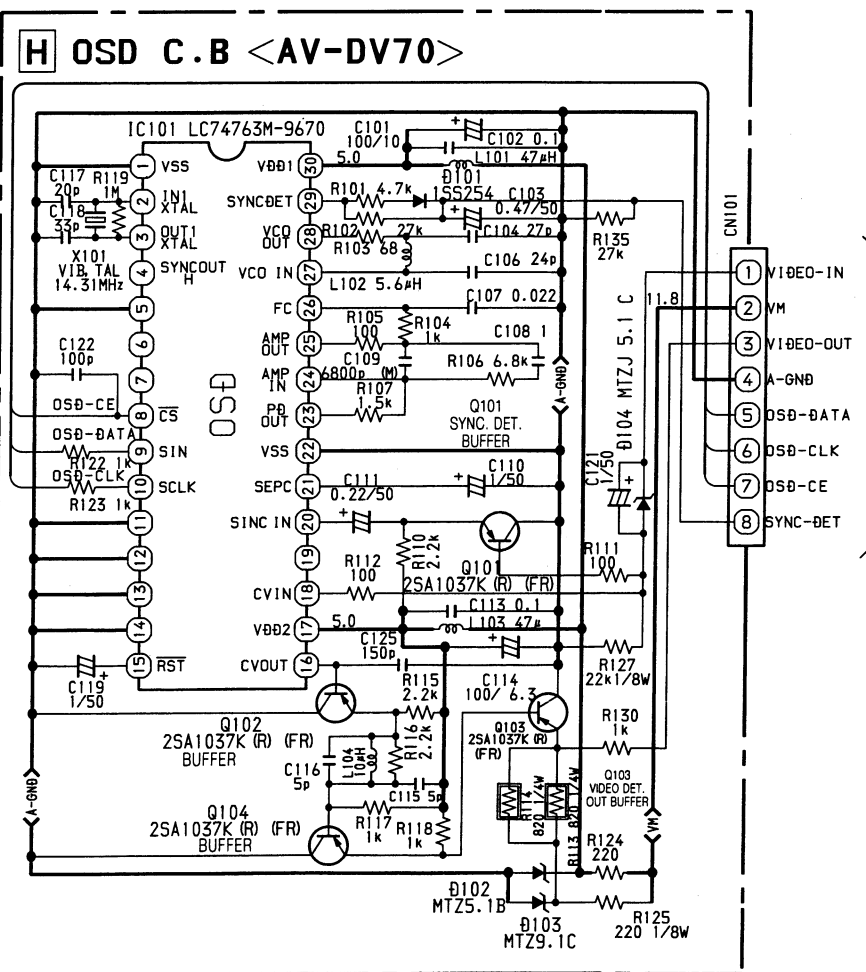
DIGITAL IN  
(PCM/DOLBY DIGITAL)  
J101  
COAXIAL  
(VIDEO 2)

IC115  
OPTICAL  
(VIDEO 1)

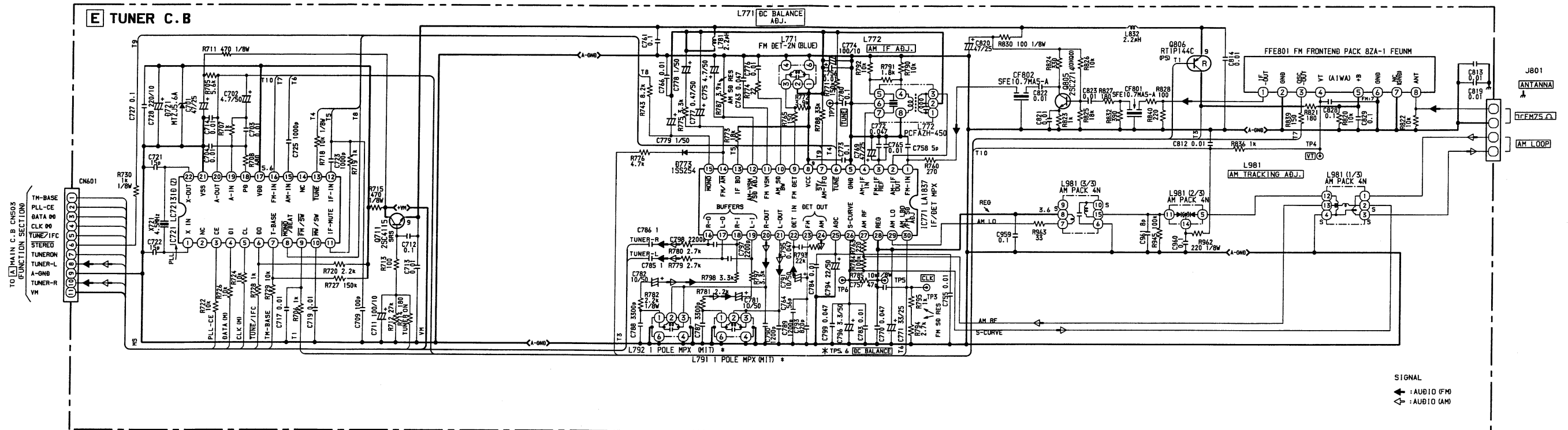
TO **A** MAIN C. B  
CNS04

TO **A** MAIN C. B  
CNS05

SCHEMATIC DIAGRAM-5 (OSD SECTION)



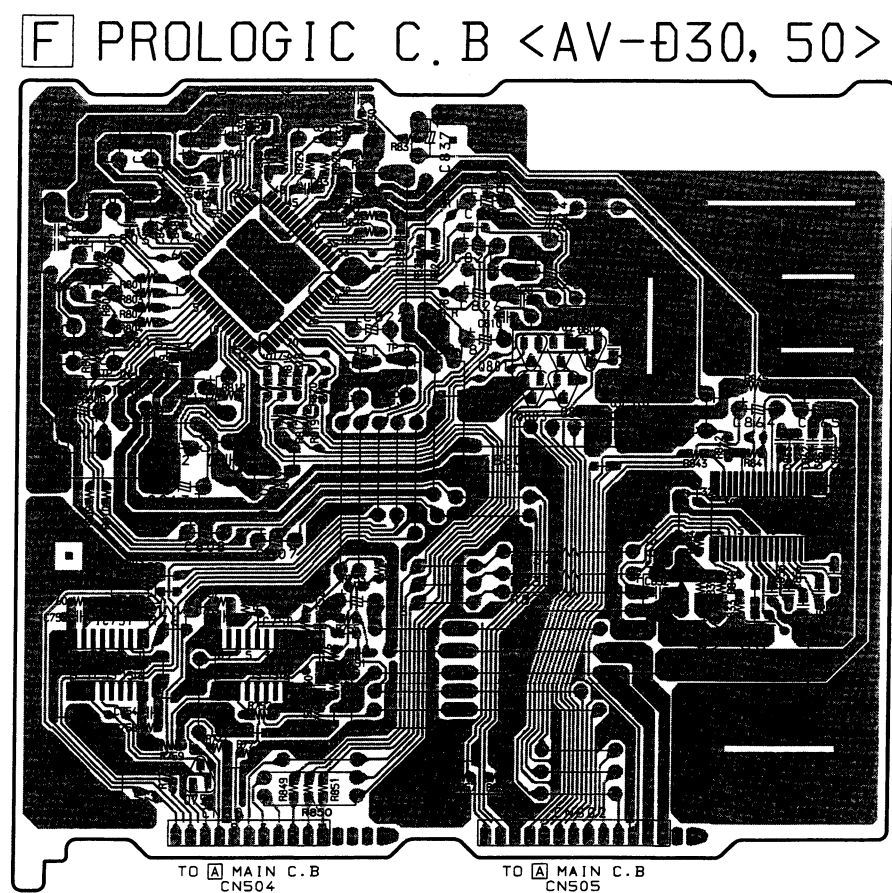
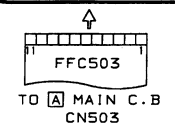
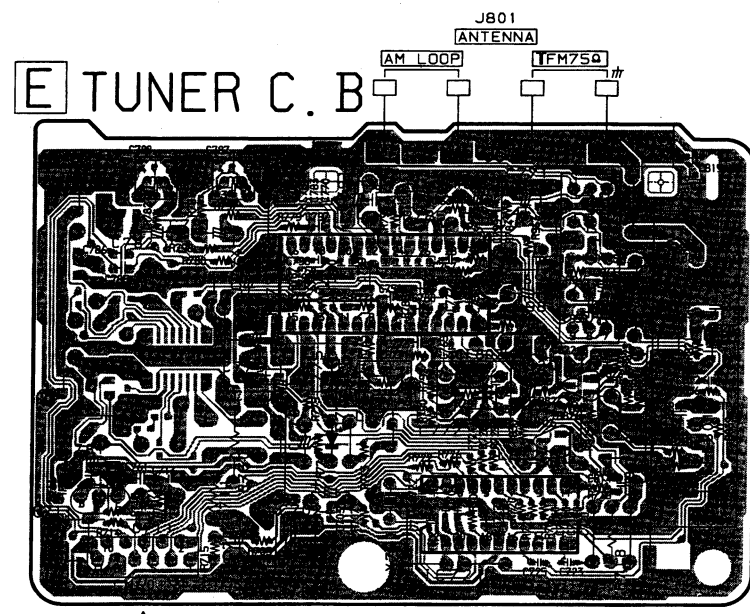
SCHEMATIC DIAGRAM-6 (TUNER SECTION)



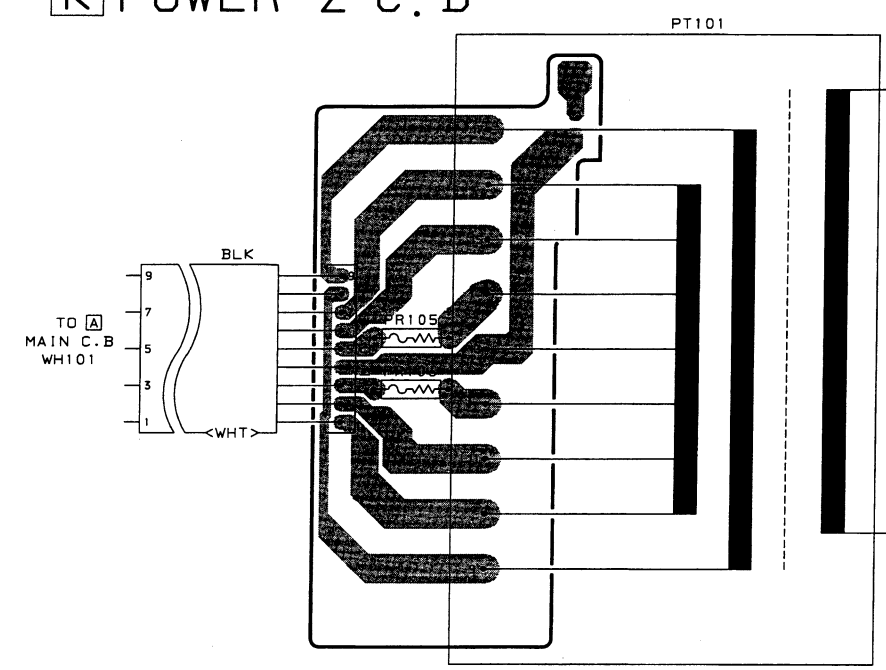
WIRING-4 (TUNER/PRO LOGIC/POWER SECTION)

1 2 3 4 5 6 7 8 9 10 11 12 13 14

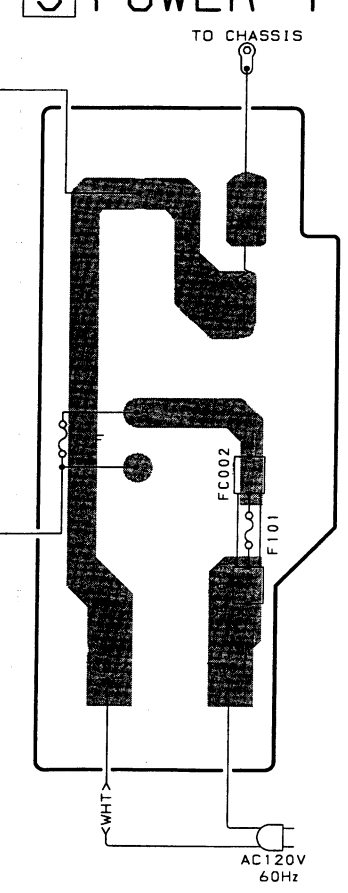
A  
B  
C  
D  
E  
F  
G  
H  
I  
J



**K POWER-2 C. B.**

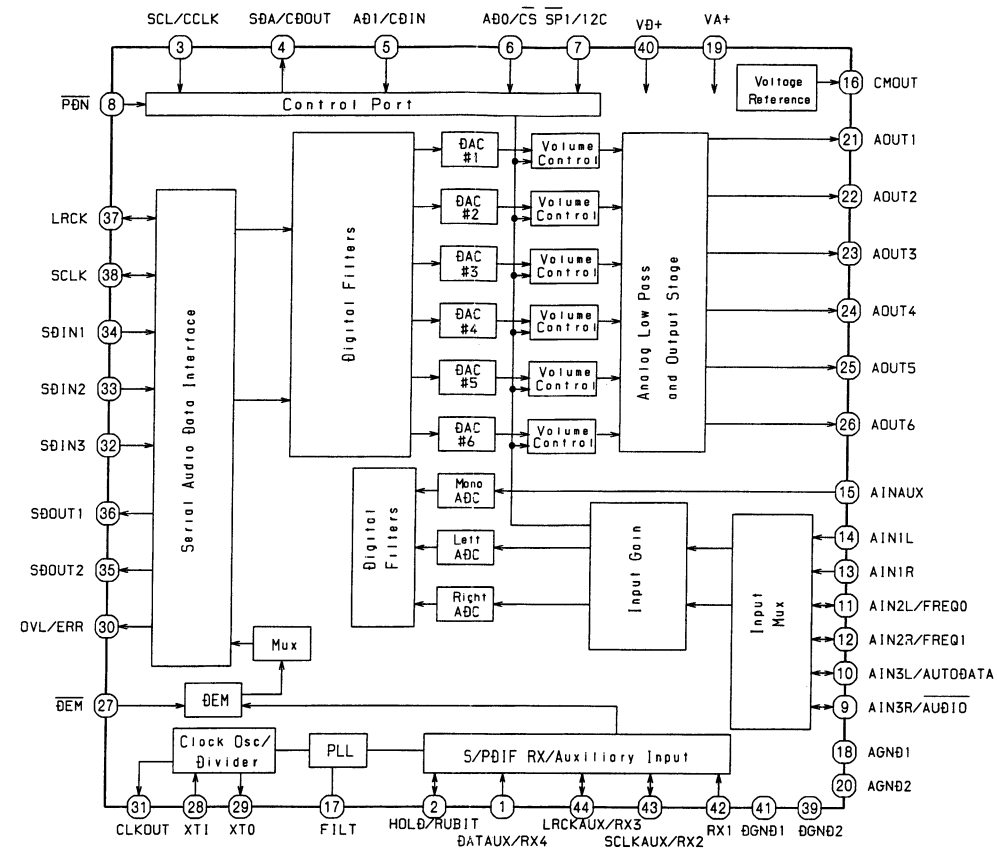


**J POWER-1 C. B.**

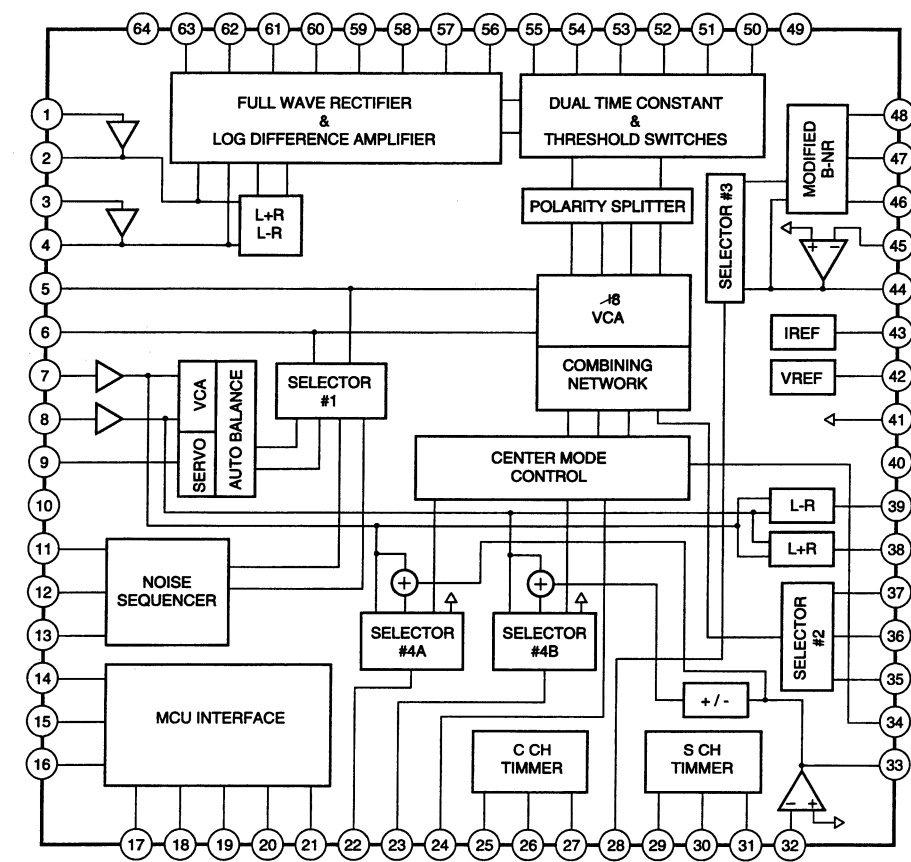


IC BLOCK DIAGRAM-1

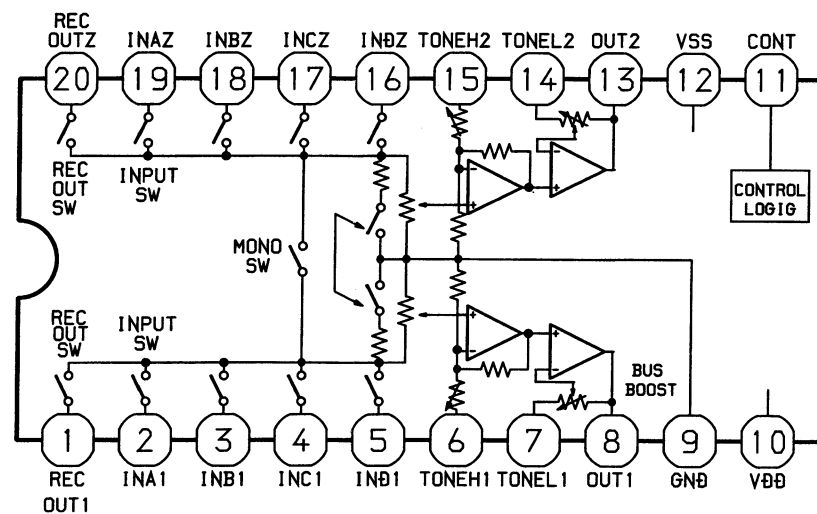
IC, CS4226



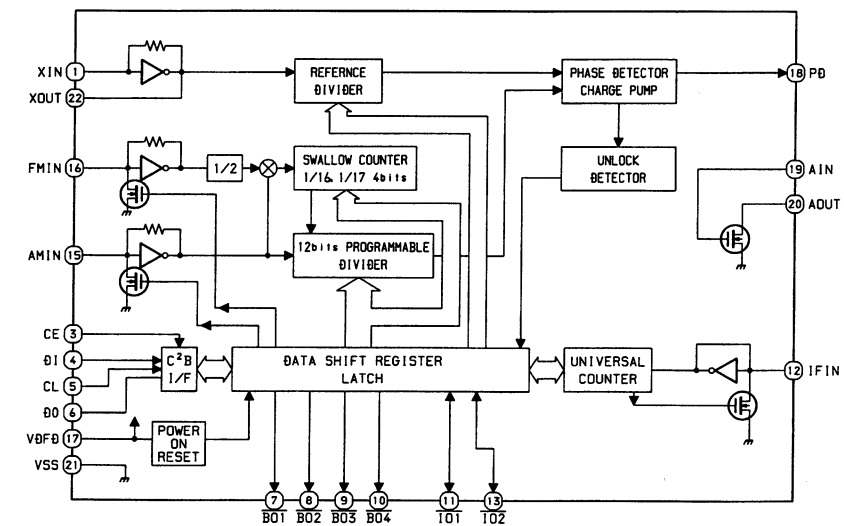
IC, NJM1102B



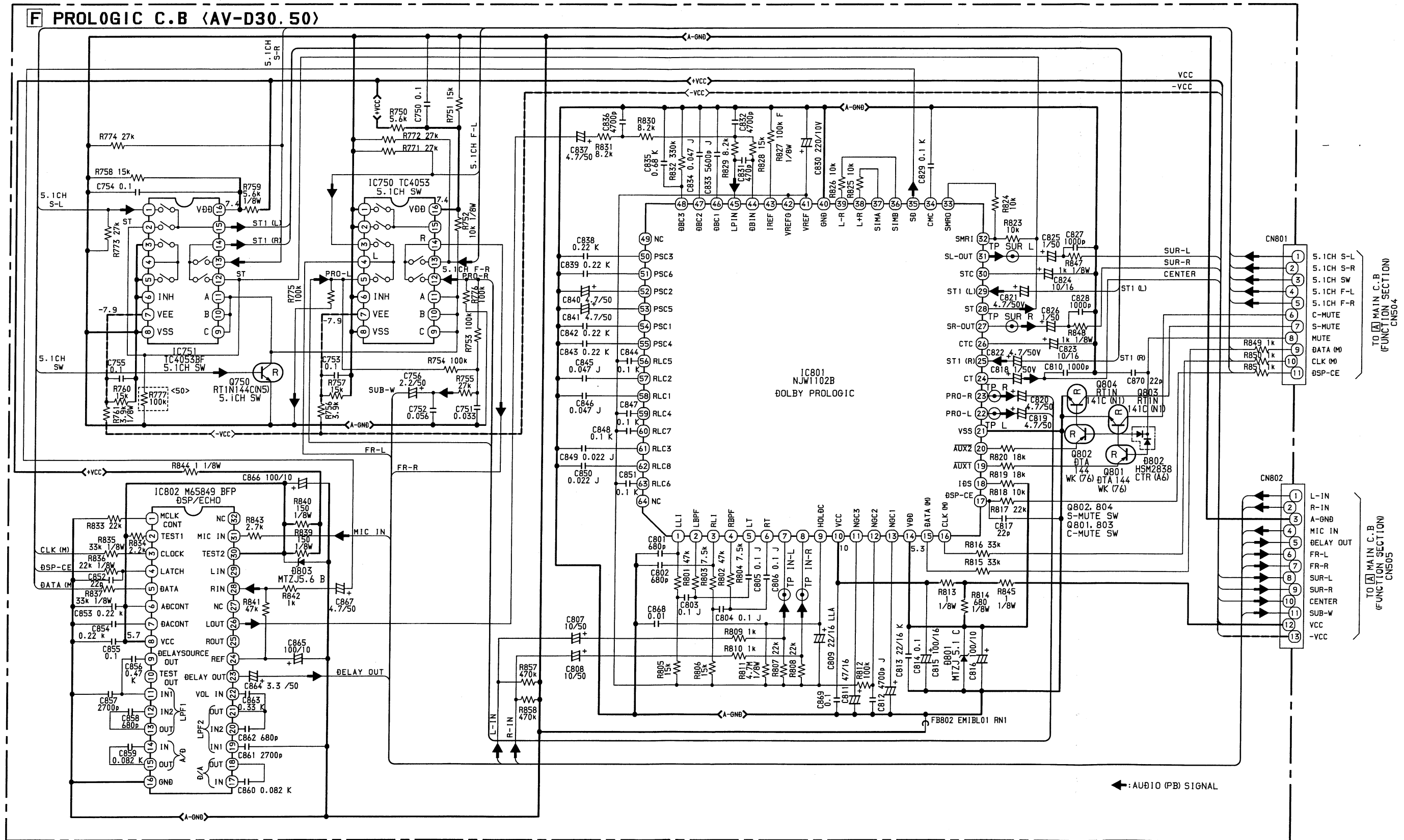
IC, M6243PSP



IC, LC72131

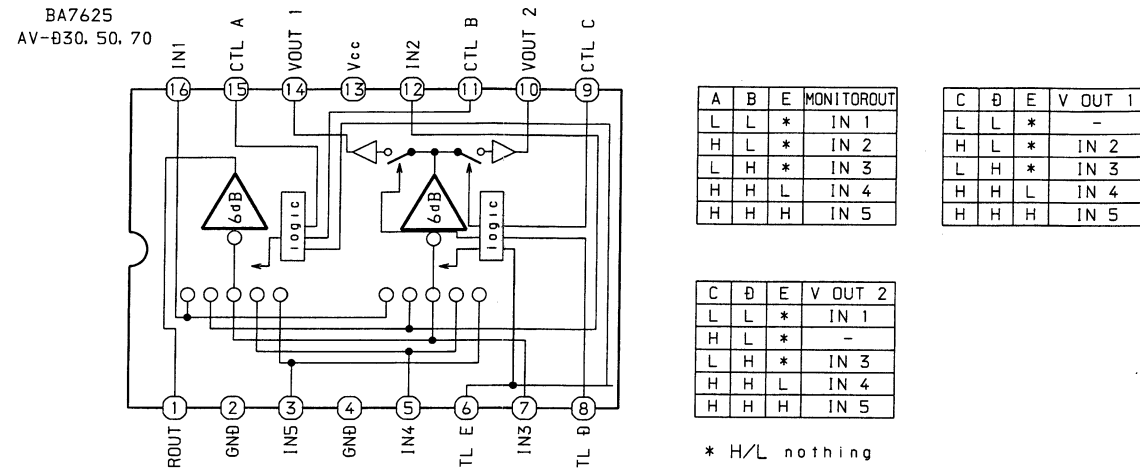


SCHEMATIC DIAGRAM-7 (PRO LOGIC SECTION)

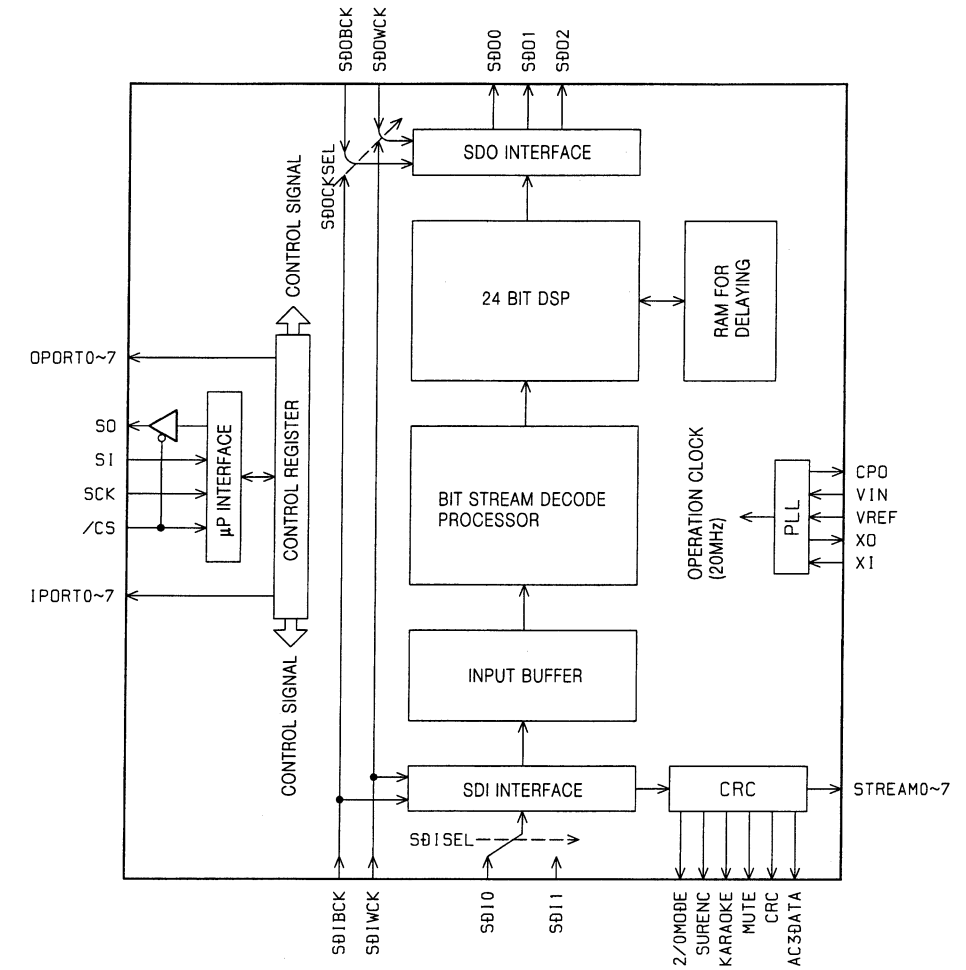


IC BLOCK DIAGRAM-2

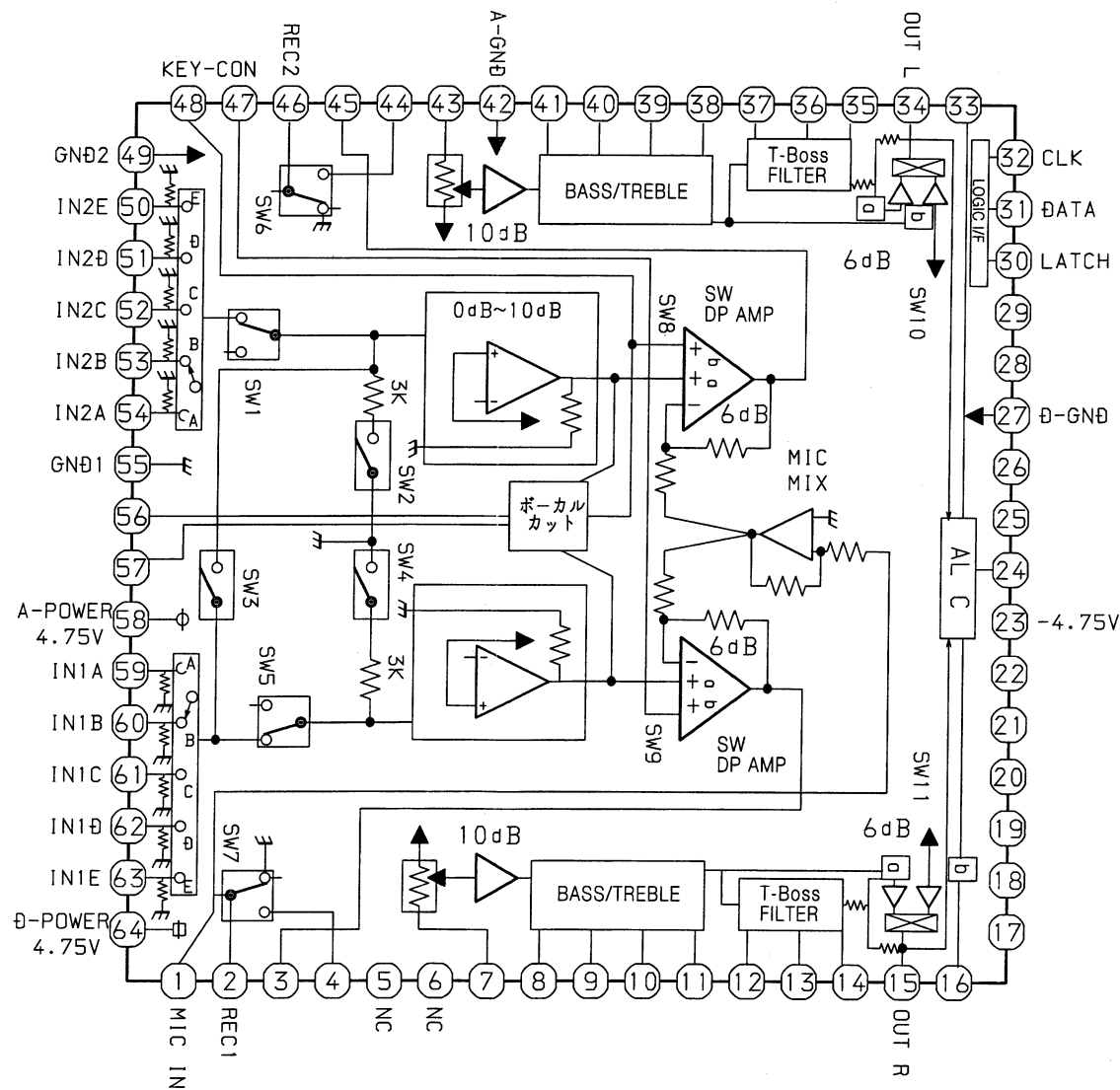
IC, BA7625



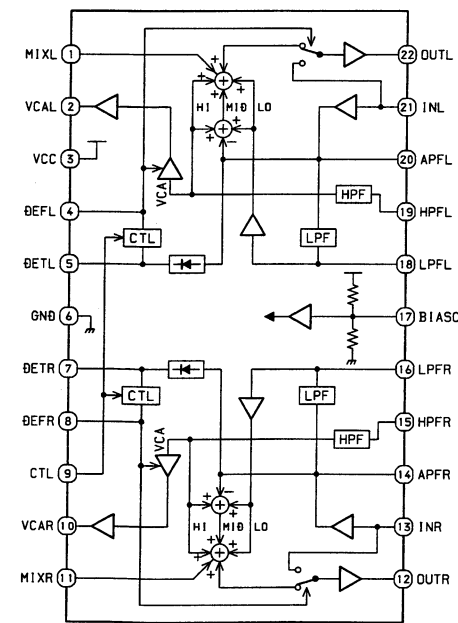
IC, YSS248-F



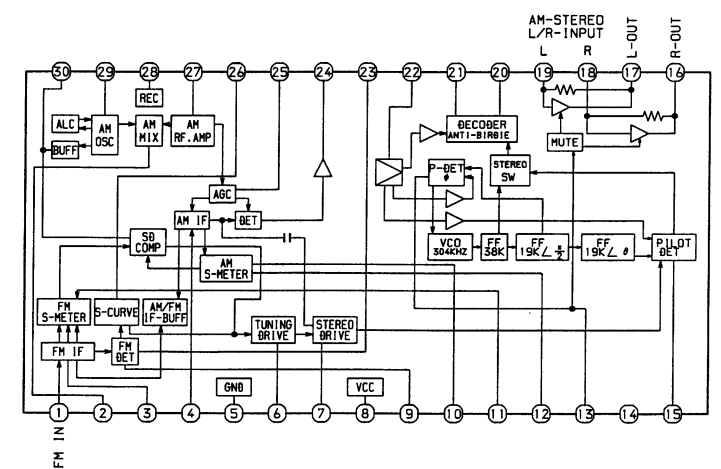
IC, M62445-FP-601



IC, BA3880S



IC, LA1837





# IC DESCRIPTION

IC,  $\mu$ PD780228-016,017,027

Pin No.	Pin Name	I/O	Description
1	$\overline{\text{K-SCAN}}$	O	Switch scan timing output
2	$\overline{\text{TUNE/IFC}}$	I	TUNE-IF count serial data input
3	PLL-CE	O	PLL IC chip enable output
4	DATA (M)	O	Data output for sound CTRL, PLL, DOLBY PRO LOGIC, DSF
5	CLK (M)	O	Clock output
6	STB (M)	O	Latch strobe output for sound CTRL
7	PRO-CE/DSP-CE	O	Chip enable for dolby prologic or DSP
8	ATT-SW-A	O	ATT-SW-A output for IC720 (4052)
9	ATT-SW-B	O	ATT-SW-B output for IC720 (4052)
10	OSD-CE	O	Chip enable for OSD
11	$\overline{\text{LED-TAPE}}$	O	Tape LED $\overline{\text{ON/OFF}}$ output
12	$\overline{\text{LED-TUNER}}$	O	Tuner LED $\overline{\text{ON/OFF}}$ output
13	$\overline{\text{LED-PHONO}}$	O	Phono LED $\overline{\text{ON/OFF}}$ output
14	$\overline{\text{LED-AUX}}$	O	AUX LED $\overline{\text{ON/OFF}}$ output
15	$\overline{\text{POWER}}$	O	System power supply $\overline{\text{ON/OFF}}$ output
16	MUTE	O	System mute $\overline{\text{ON/OFF}}$ output
17	IC	-	GND
18	VSS	-	GND
19	VDD	-	Power supply input
20	CS	O	Chip select output for DOLBY DIGITAL (AC3)
21	SCK	O	Clock output for DOLBY DIGITAL (AC3)
22	SI	O	Serial data input for DOLBY DIGITAL (AC3)
23	SO	I	Serial data output for DOLBY DIGITAL (AC3)
24	SDA	I	Serial data input for CODEC IC (CS4226)
25	$\overline{\text{ADO/CS}}$	O	Chip select output for CODEC IC (CS4226)
26	$\overline{\text{TAPE-ATTN}}$	O	ATT output for function tape
27	$\overline{\text{DSP-SW}}$	O	DSP SW (4053) output
28	RDS-CLK	I	Tuner RDS clock input
29	RDS-DATA	I	Tuner RDS data input
30	$\overline{\text{RESET}}$	I	Reset input
31	CONT1	O	Master VOL CTRL output for surround left/right
32	CONT2	O	Master VOL CTRL output for center & sub-woofer
33	OSD-CLK (F)	O	Clock output for OSD
34	$\overline{\text{RMC}}$	I	System remote control signal input
35	OSD-DATA (F)	O	Data output for OSD
36	C-SHIFT	O	Micon clock shift output
37	VDD1	-	Power supply input
38	X2	-	4.19 MHz oscillator circuit
39	X1	-	
40	VSS1	-	GND
41	AVDD	-	Power supply input

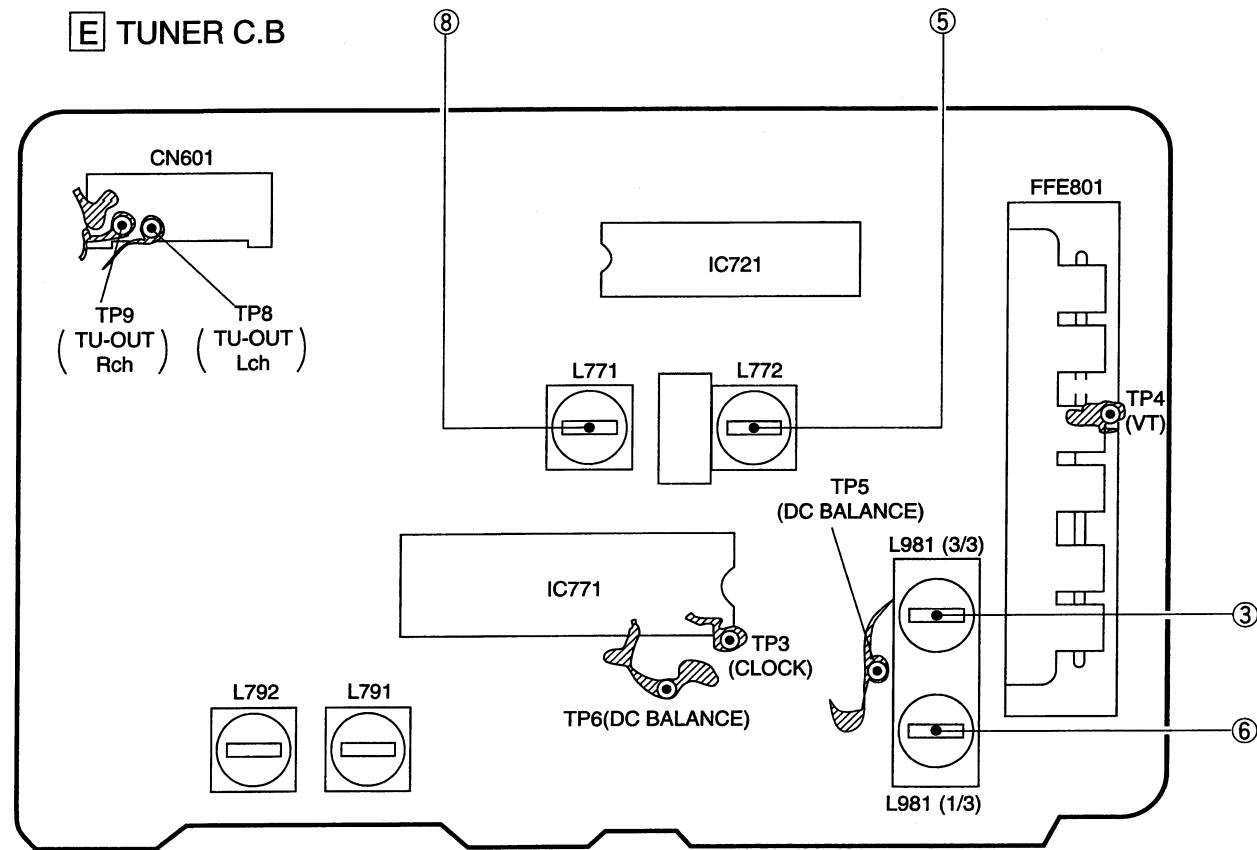
Pin No.	Pin Name	I/O	Description
42	HOLD	I	Power failure detected input "L" to stop clock and hold memory
43	RE-VOL	I	Rotary encoder signal input
44	RDS-SIG	I	Tuner signal input
45	MIC	I	Microphone input for auto VF display
46	KEY3	I	Key input (A/D)
47	KEY2	I	
48	KEY1	I	
49	SYNC DET	I	SYNC detector input for OSD
50	AVSS	-	GND
51	LED CD	O	CD LED ON/OFF output
52	LED-VIDEO1	O	VIDEO1 LED ON/OFF output
53	LED-VIDEO2	O	VIDEO2 LED ON/OFF output
54	LED-VIDEO3	O	VIDEO3 LED ON/OFF output
55	P35	O	FL segment P35 output
56	P34	O	FL segment P34 output
57	P33	O	FL segment P33 output
58	P32	O	FL segment P32 output
59	P31	O	FL segment P31 output
60	P30	I/O	FL segment P30 output/LW mode data input to diode
61	P29	I/O	FL segment P29 output/FMI (OIRT) data input to diode
62	P28	I/O	FL segment P28 output/RDS data input to diode
63	P27	I/O	FL segment P27 output/BBE data input to diode
64	P26	I/O	FL segment P26 output/AM stereo, wide band data input to diode
65	P25	I/O	FL segment P25 output/initial AM 10 kHz step data input to diode
66	P24	I/O	FL segment P24 output/VF, KEY CON, ECHO data input to diode
67	P23	I/O	FL segment P23 output/OSD data input to diode
68	P22	I/O	FL segment P22 output/DOLBY digital (AC3) data input to diode
69	P21	O	FL segment P21 output
70	P20	O	FL segment P20 output
71	P19	O	FL segment P19 output
72	P18	O	FL segment P18 output
73	P17	O	FL segment P17 output
74	P16	I/O	FL segment P16 output/tuner stereo detected input
75	P15	I/O	FL segment P15 output/headphone mute detected input
76	P14	I/O	FL segment P14 output/reference clock input for timer watch
77	P13	O	FL segment P13 output
78	P12	O	FL segment P12 output
79	VDD2	-	Power supply input
80	VFL	-	Power supply input for FL display
81	P11	O	FL segment P11 output
82	P10	O	FL segment P10 output

Pin No.	Pin Name	I/O	Description
83	P9	O	FL segement P9 output
84	P8	O	FL segement P8 output
85	P7	O	FL segement P7 output
86	P6	O	FL segement P6 output
87	P5	O	FL segement P5 output
88	P4	O	FL segement P4 output
89	P3	O	FL segement P3 output
90	P2	O	FL segement P2 output
91	P1	O	FL segement P1 output
92	G9	O	FL grid output G9
93	G8	O	FL grid output G8
94	G7	O	FL grid output G7
95	G6	O	FL grid output G6
96	G5	O	FL grid output G5
97	G4	O	FL grid output G4
98	G3	O	FL grid output G3
99	G2	O	FL grid output G2
100	G1	O	FL grid output G1

IC, LC74763M-9670

Pin No.	Pin Name	I/O	Description
1	VSS	-	Connected to ground
2	Xtal IN1	I	For the connection of a crystal and capacitors comprising a crystal oscillator that generates internal sync signal. The crystal oscillator is selected by command.
3	Xtal OUT1	O	
4	HSYNCOUT	O	Outputs horizontal sync signal. (AFC) The output polarity can be selected (Metal option). Or, general-purpose port output (switched by command).
5	Xtal IN2	I	For the connection of a crystal and capacitors comprising a crystal oscillator that generates internal sync signal.
6	Xtal OUT2	O	
7	VSYNCOUT	O	Outputs vertical sync signal. The output polarity can be selected (Metal option). Or, general-purpose port output (switched by command).
8	$\overline{CS}$	I	Enable input for serial data input. "L" input enables serial data input (hysteresis input). A pull-up resistor is incorporated (Metal option).
9	SIN	I	Serial data input (hysteresis input). A pull-up resistor is incorporated (Metal option).
10	SCLK	I	Clock input for serial data input (hysteresis input). A pull-up resistor is incorporated (Metal option).
11	SECAM	I/O	Input: Switches the SECAM mode. "L": Modes other than SECAM, "H": SECAM Output: General-purpose port output or internal V output (switched by command).
12	$\overline{525/625}$	I/O	Input: Switches the number scanning lines between 525 and 625. "L": 525, "H": 625 Output: General-purpose port output or character data output (switched by command).
13	$\overline{NTSC/PAL}$	I/O	Input: Switches the color system between NTSC and PAL. "L": NTSC, "H": PAL Output: General-purpose port output or decorating data output (switched by command).
14	$\overline{3.58/4.43}$	I/O	Input: Switches FSC between 3.58MHz and 4.43MHz. "L": 3.58, "H": 4.43 Output: General-purpose port output or half-tone output (switched by command).
15	$\overline{RST}$	I	System reset input. Active "L". (Hysteresis input) A pull-up resistor is incorporated (Metal option).
16	CV OUT	O	Composite video signal output
17	VDD2	-	Power supply for creating composite video level
18	CVIN	I	Composite video signal input
19	CVCR	I	SECAM chroma signal input
20	SYNC IN	I	Video signal input to the built-in sync separator
21	SEPC	O	Bias output from the built-in sync separator
22	VSS	-	Connected to ground.
23	PD OUT	O	AFC control voltage output
24	AMP IN	I	For the connection of a filter for AFC circuit
25	AMP OUT	O	
26	FC	I	AFC control voltage input
27	VCO IN	I	For the connection of coils and capacitors comprising an LC oscillator for VCO
28	VCO OUT	O	
29	SYNC DET	O	EX-NOR output of horizontal sync signal (AFC) and C.SYNC (sync separator). The output polarity can be selected (Metal option). Or, general-purpose port output (switched by command).
30	VDD1	-	+5V Power supply of digital circuits

# ELECTRICAL ADJUSTMENT



1. AM VT Check  
 Setting:  
 Test point: TP4 (VT)  
 Method:  
 Set to AM 1710 kHz and check that the test point is less than + 8.5 V.  
 Then set to AM 530 kHz and check that the test point is more than + 0.6 V.
2. FM VT Check  
 Setting:  
 Test point: TP4 (VT)  
 Method:  
 Set to FM 108.0 MHz and check that the test point is less than + 8.0 V.  
 Then set to FM 87.5 MHz and check that the test point is more than + 0.5 V.
3. AM VT Adjustment  
 Setting:  
 Test point: TP4 (VT)  
 Adjustment location: L981 (3/3)  
 Method:  
 Set to AM 1710 kHz and adjust L981 (3/3) that the test point is  $8.5 \pm 0.05$  V.  
 Then set to AM 530 kHz and check that the test point is more than + 0.3 V.
4. Clock Frequency Check  
 Setting:  
 Test point: TP3 (CLOCK)  
 Method:  
 Set to AM 1710 kHz and check that the test point is  $2160 \text{ kHz} \pm 45 \text{ kHz}$ .
5. AM IF Adjustment  
 Setting:  
 Test point: TP8 (Lch), TP9 (Rch),  
 Adjustment location: L772  
 Method:  
 Set to AM 999 kHz and adjust L772 that the test point is becomes maximum.
6. AM Tracking Adjustment  
 Setting:  
 Test point: TP8 (Lch), TP9 (Rch),  
 Adjustment location: L981 (1/3)  
 Method:  
 Set to AM 999 kHz and adjust L981 (1/3) that the test point is becomes maximum.

7. FM Tracking Check  
 Setting:  
 Test point: TP8 (Lch), TP9 (Rch),  
 Method:  
 Set to FM 98.0 MHz and check that the test point is less than 9 dB $\mu$ V.

8. FM DC Balance Adjustment  
 Setting:  
 Test point: TP5, TP6  
 Adjustment location: L771  
 Method:  
 Set to FM 98.0 MHz and adjust L771 that the test point is  $0 \pm 0.04$  V.

## PRACTICAL SERVICE FIGURE

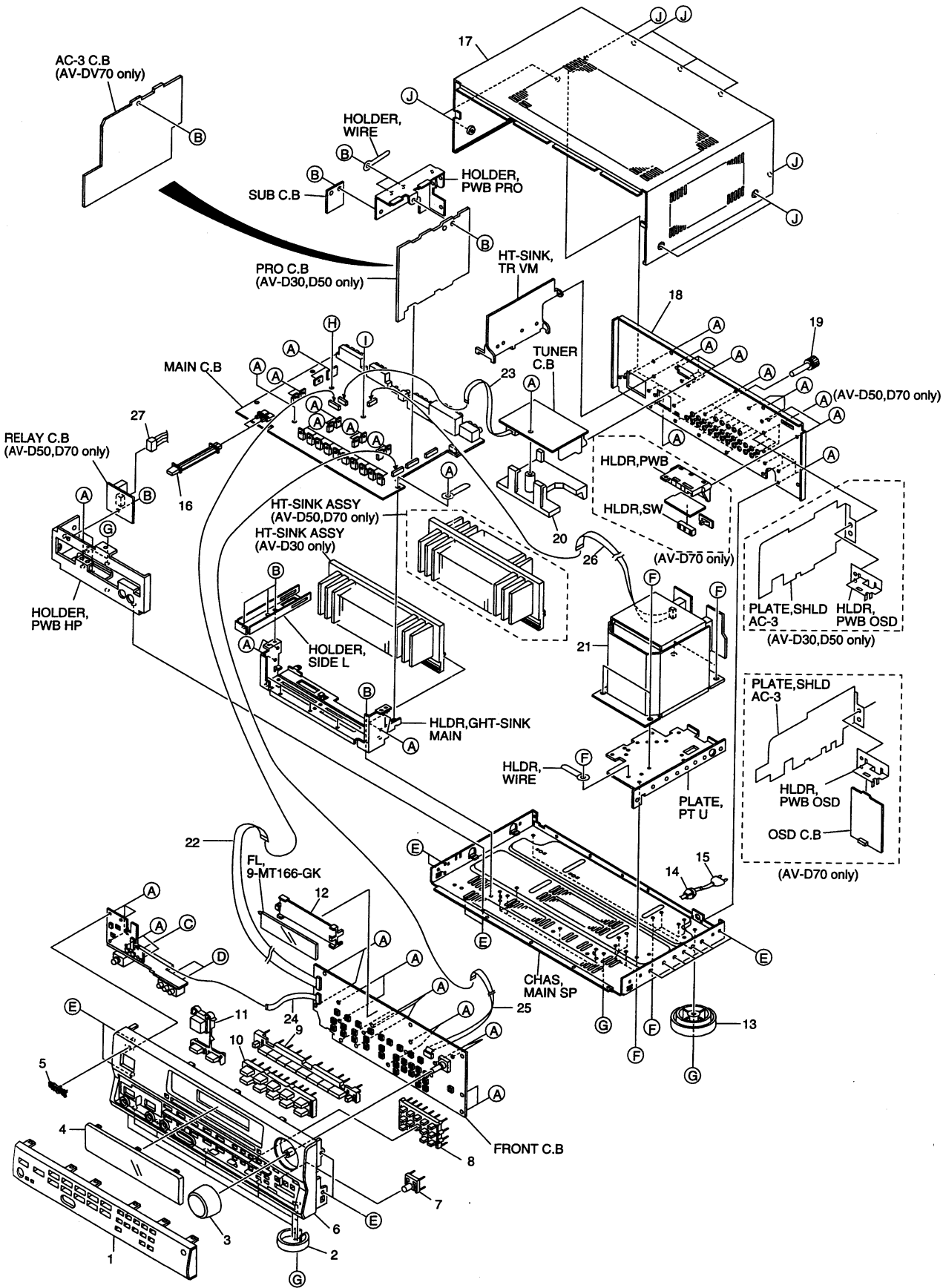
### TUNER SECTION

< FM SECTION >	
IHF sensitivity: (THD 3 %)	Less than 10 dB $\mu$ V (87.5 MHz) Less than 9 dB $\mu$ V (98.0 MHz/108 MHz)
S/N 50 dB quieting sensitivity:	Less than 35 dB $\mu$ V (98.0 MHz)
Signal to noise ratio:	More than 66 dB (98.0 MHz)
Distortion:	Less than 2.0% (98.0 MHz)
Stereo separation:	More than 30 dB (98.0 MHz)
Intermediate frequency:	10.7 MHz

### < AM SECTION >

Sensitivity: (S/N 20 dB)	Less than 60 dB $\mu$ V (600 kHz) Less than 58 dB $\mu$ V (1000/1400 kHz)
Distortion:	Less than 1.5% (1000 kHz)
Auto stop level:	37 dB ~ 62 dB (1000 kHz)
Intermediate frequency:	450 kHz

MECHANICAL EXPLODED VIEW 1/1



MECHANICAL PARTS LIST 1/1

DESCRIPTIONで判断できない物は "REFERENCE NAME LIST" を参照してください。  
If can't understand for Description please kindly refer to "REFERENCE NAME LIST".

REF. NO	PART NO.	KANRI NO.	DESCRIPTION	REF. NO	PART NO.	KANRI NO.	DESCRIPTION
1	88-AR3-009-010		PANEL, CTRL BLK<D30>	17	88-AR1-035-010		CABI, STEEL BLK 0.92<DV70>
1	88-AR2-012-010		PANEL, CTRL BLK<D50>	18	88-AR3-023-010		PANEL, REAR UBN<D30>
1	88-AR1-015-010		PANEL, CTRL BLK<DV70>	18	88-AR2-003-010		PANEL, REAR UBNM<D50>
2	88-AR1-044-010		RING, FOOT BLK	18	88-AR1-002-110		PANEL, REAR UBNM<DV70>
3	88-AR1-045-010		KNOB, RTRY VOL BLK	19	87-033-209-010		TERMINAL, EARTH
4	88-AR1-021-010		WINDOW, DISP DIGITAL<DV70>	20	88-AR1-203-010		HLDR, TU
4	88-AR1-014-010		WINDOW, DISPLAY<D30, D50>	21	88-AR1-650-010		PT, 8AR-1 (U)<D50, DV70>
5	82-NE6-067-010		BADGE, AIWA 30N	21	88-AR3-601-010		PT, 8AR-3 (U)<D30>
6	88-AR1-001-010		CABI, FR U BLK	22	88-AR1-644-010		FF-CABLE, 27P 1.25 400MM
7	88-AR1-042-010		KEY, BALANCE BLK	23	88-911-161-110		FF-CABLE, 11P 1.25
8	88-AR1-039-010		KEY, 10 BLK<D50, DV70>	24	88-912-061-110		FF-CABLE, 12P 1.25
8	88-AR3-026-010		KEY, 10 BLK<D30>	25	88-AR1-647-010		FF-CABLE, 12P 1.25 340MM<DV70>
9	88-AR2-007-010		KEY, FUN 5.1CH BLK<D30, D50>	26	88-AR1-642-010		F-CABLE, 9P -2.5
9	88-AR1-037-010		KEY, FUN BLK<DV70>	27	88-AR1-659-010		CONN ASSY, 6P (RY)<D50>
10	88-AR3-025-010		KEY, GEQ BLK<D30>	A	87-067-703-010		TAPPING SCREW, BVT2+3-10
10	88-AR1-038-010		KEY, GEQ BLK<D50, DV70>	B	87-067-584-010		TAPPING SCREW, BVT2+3-6
11	88-AR3-028-010		KEY, POWER BLK<D30>	C	81-MK1-210-010		S-SCREW, VFT2+3-16
11	88-AR1-036-010		KEY, POWER BLK<D50, DV70>	D	88-AR1-217-010		S-SCREW, BFT2+3-8
12	88-AR1-209-010		GUIDE, FL	E	87-591-095-410		TAPPING SCREW, QIT+3-8 (GLD)
13	82-AA1-029-010		FOOT, (SG)<D50, DV70>	F	87-067-975-010		S-SCREW, IT+4-8
13	88-AR3-013-010		FOOT, REAR<D30>	G	87-067-673-010		TAPPING SCREW, BUTT+3-8 (B)
14	87-085-189-010		BUSHING, CORD (U)	H	87-067-632-010		TAPPING SCREW, BVT2+3-15
15	87-050-053-010		AC CORD ASSY, U-2	I	87-067-581-010		TAPPING SCREW, BVT2+3-15
16	88-AR1-043-010		BTN, SP BLK	J	87-067-641-010		UTT2+3-8 (W/O SLOT)BL
17	88-AR1-003-010		CABI, STEEL BLK 0.72<D30, D50>				

### ACCESSORIES LIST [AV-D30]

DESCRIPTIONで判断できない物は "REFERENCE NAME LIST" を参照してください。  
If can't understand for Description please kindly refer to "REFERENCE NAME LIST".

REF. NO	PART NO.	KANRI NO.	DESCRIPTION	REF. NO	PART NO.	KANRI NO.	DESCRIPTION
1	88-AR3-903-010		IB,U(ESF)M				
2	87-006-225-010		AM LOOP ANT NC2				
3	87-043-115-010		ANT, FEEDER FM				
4	88-AR2-654-010		RC UNIT, RC-8AR03				

### ACCESSORIES LIST [AV-D50]

DESCRIPTIONで判断できない物は "REFERENCE NAME LIST" を参照してください。  
If can't understand for Description please kindly refer to "REFERENCE NAME LIST".

REF. NO	PART NO.	KANRI NO.	DESCRIPTION	REF. NO	PART NO.	KANRI NO.	DESCRIPTION
1	88-AR2-903-010		IB,U(ESF)M				
2	87-006-225-010		AM LOOP ANT NC2				
3	87-043-115-010		ANT, FEEDER FM				
4	88-AR1-654-010		RC UNIT, RC-8AR01				

### ACCESSORIES LIST [AV-DV70]

DESCRIPTIONで判断できない物は "REFERENCE NAME LIST" を参照してください。  
If can't understand for Description please kindly refer to "REFERENCE NAME LIST".

REF. NO	PART NO.	KANRI NO.	DESCRIPTION	REF. NO	PART NO.	KANRI NO.	DESCRIPTION
1	88-AR1-903-010		IB,U(ESF)M				
2	88-AR1-654-010		RC UNIT, RC-8AR01				
3	87-006-225-010		AM LOOP ANT NC2				
4	87-043-115-010		ANT, FEEDER FM				

サービス技術ニュース	
番号	連絡内容
G- -	
G- -	
G- -	

**アイワ株式会社**  
**AIWA CO.,LTD.**

737004

Tokyo Japan

〒110-8710 東京都台東区池之端1-2-11 ☎03 (3827) 3111 (代表)

Printed by: Schaltungsdienst Lange, Berlin (GERMANY)